

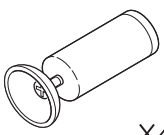
FVN3317

CONTENTO

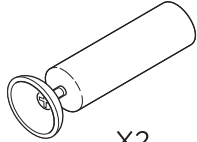
INSTALLATION GUIDE



PARTS:



X4



X2



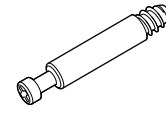
X3



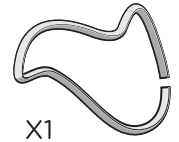
X6



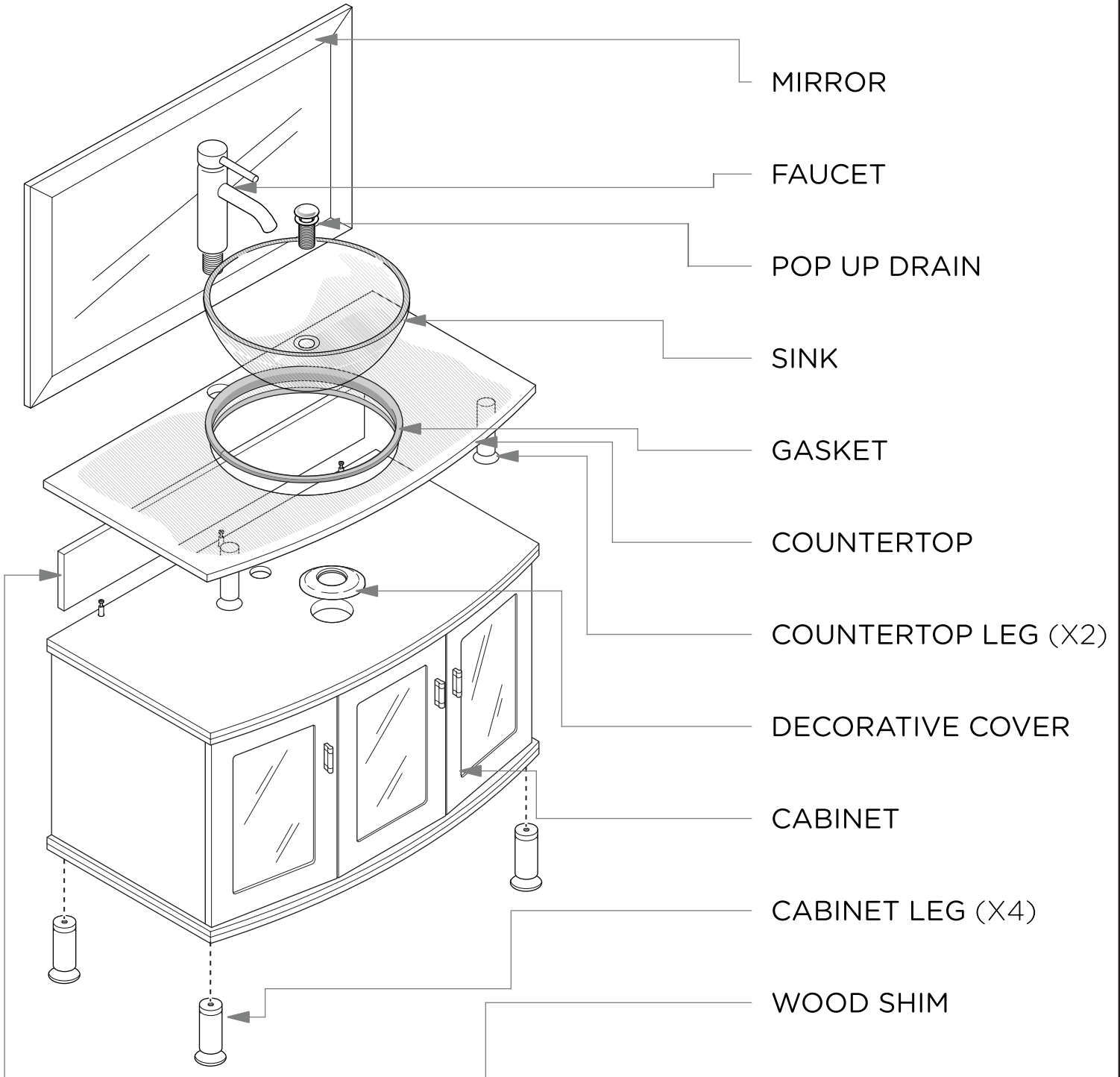
X1



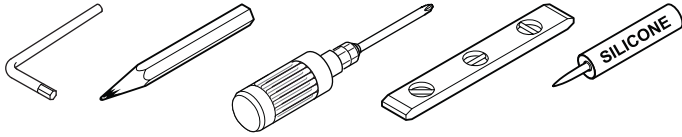
X3



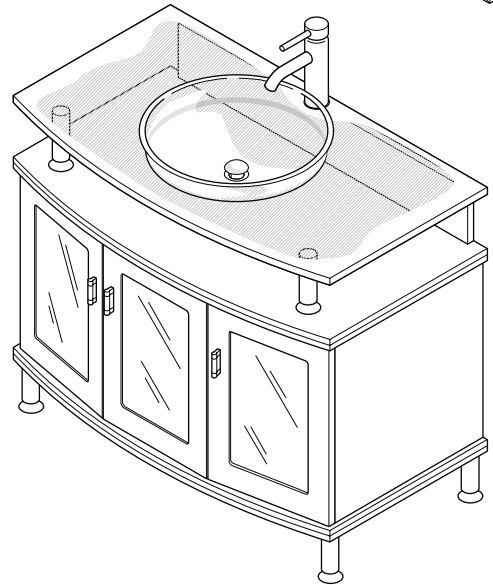
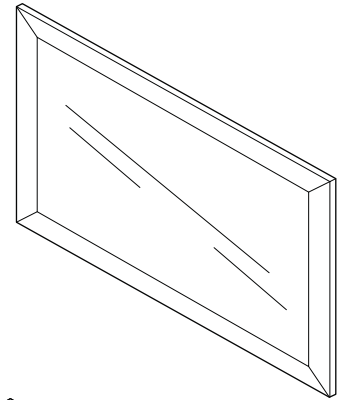
X1



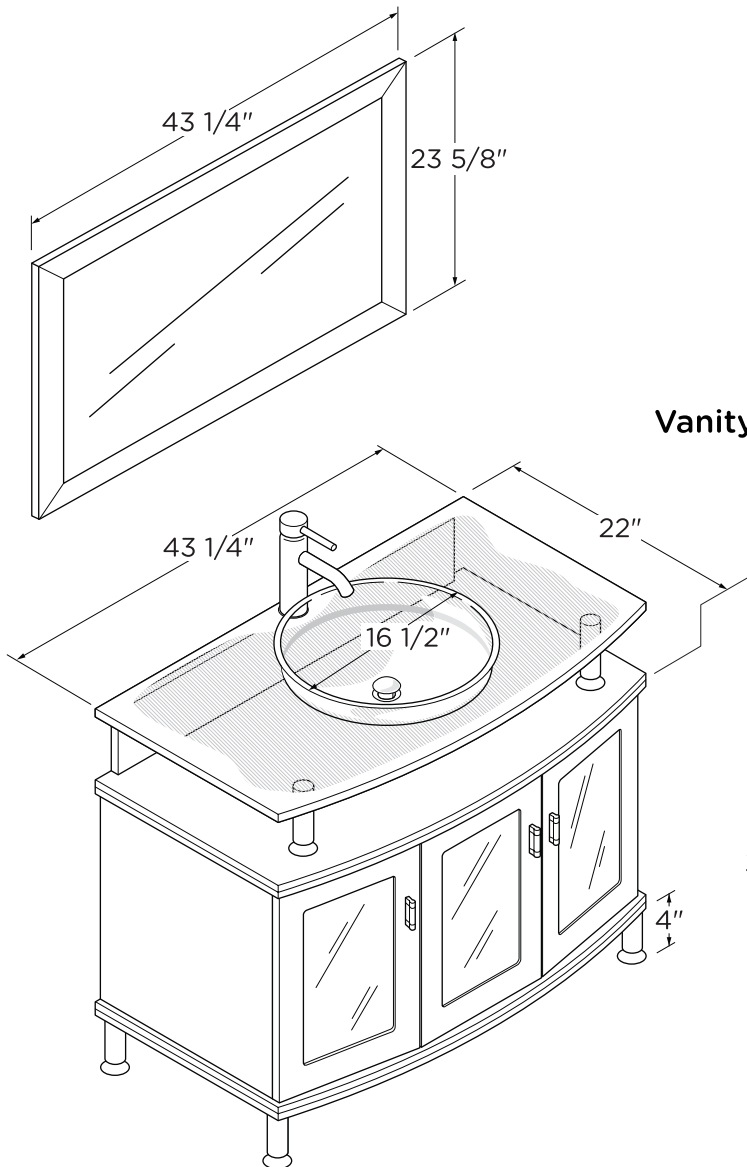
TOOLS REQUIRED FOR ASSEMBLY



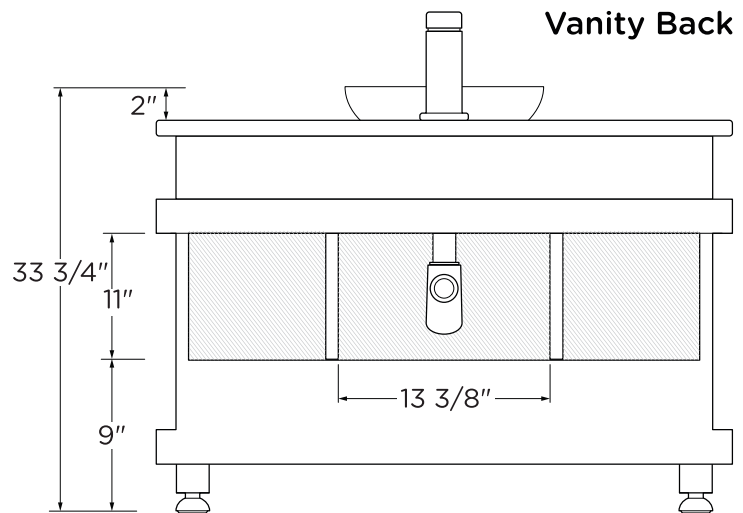
DIMENSIONS:



Vanity Front



Vanity Back

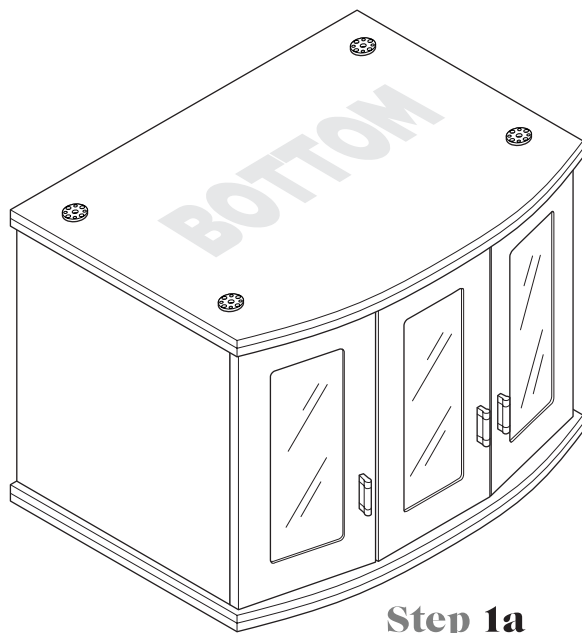


Note:

All dimensions & specifications are approximate and subject to change without notice.

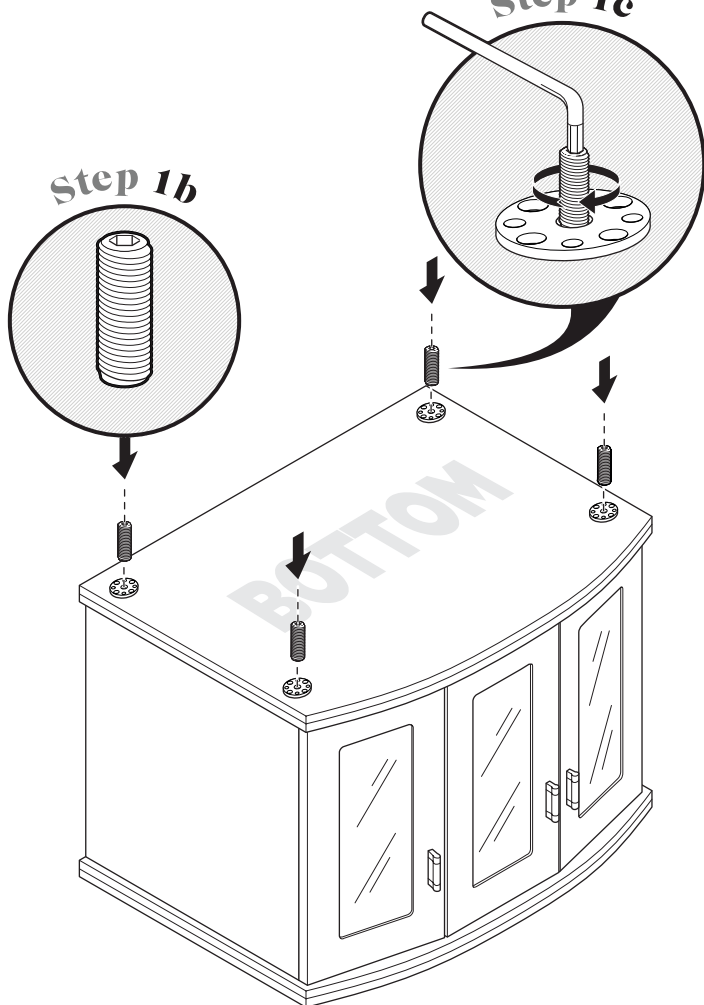
LEGS INSTALLATION:

1.

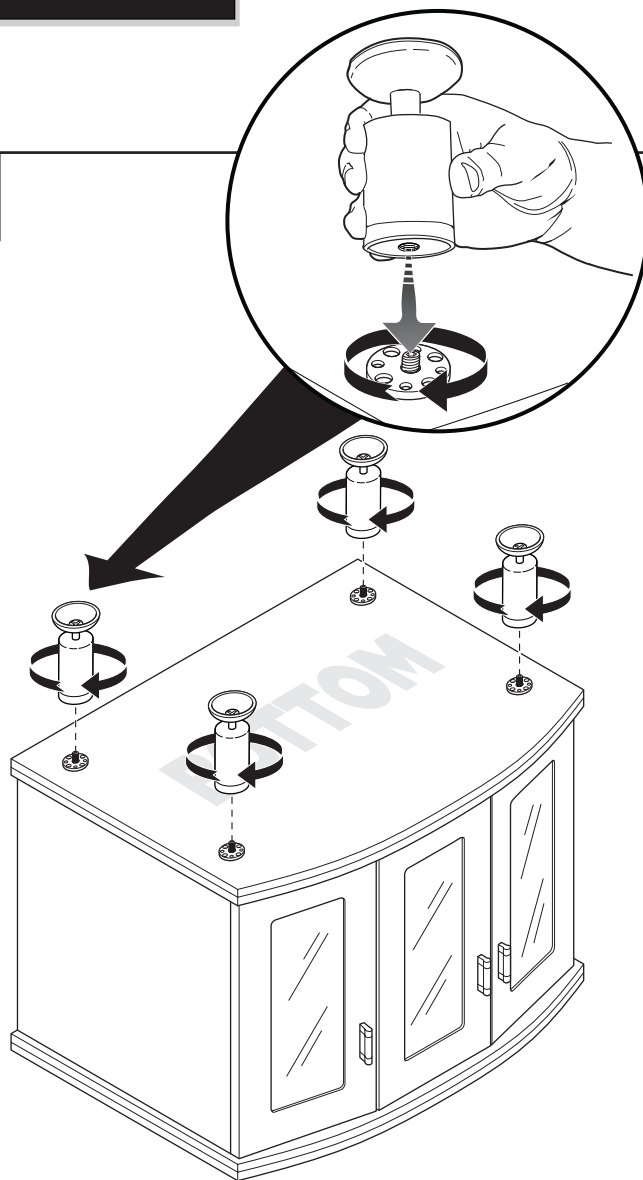


Step 1a

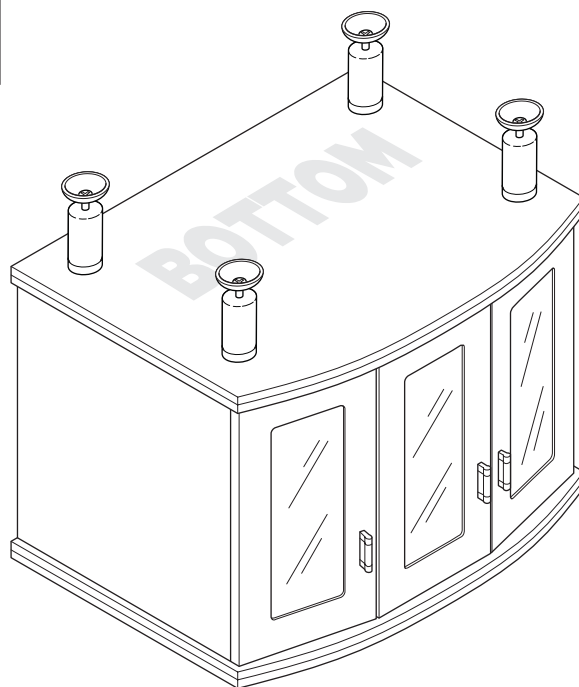
Step 1c



2.

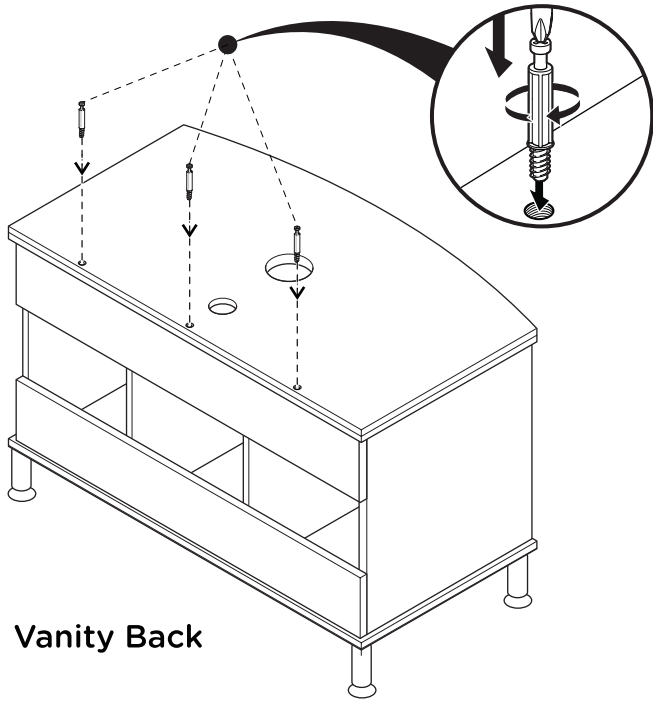


3.

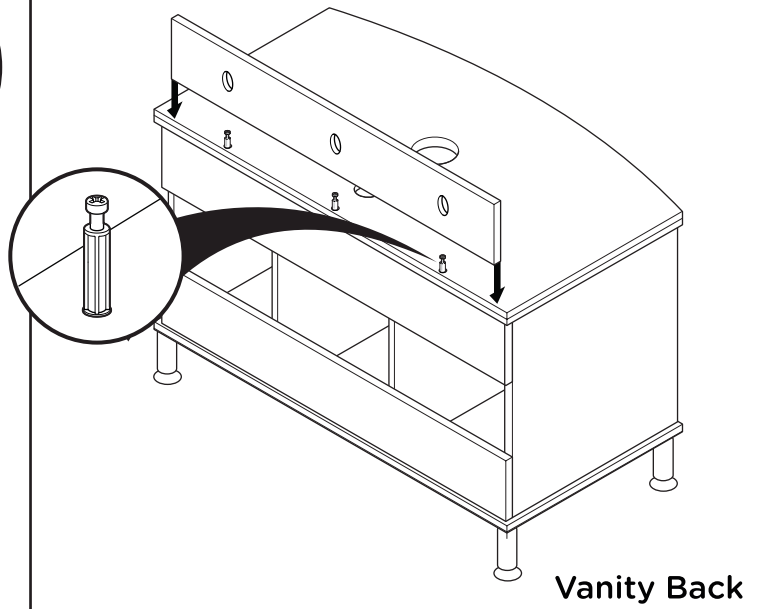


WOOD SHIM INSTALLATION:

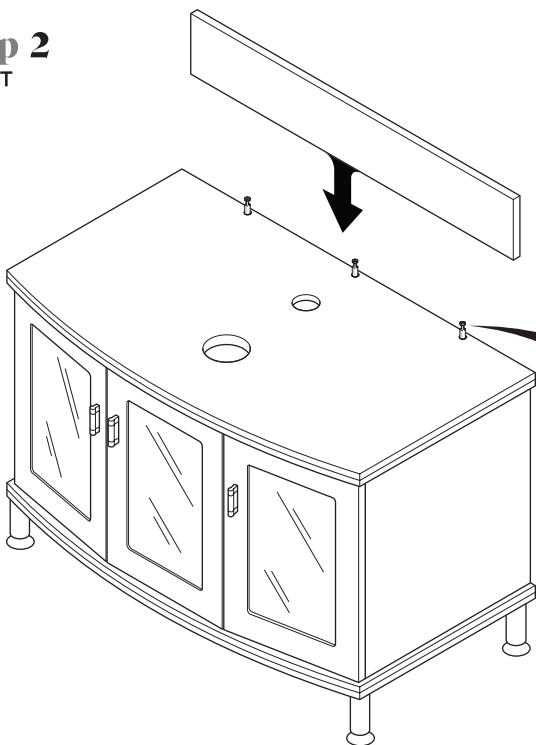
1.



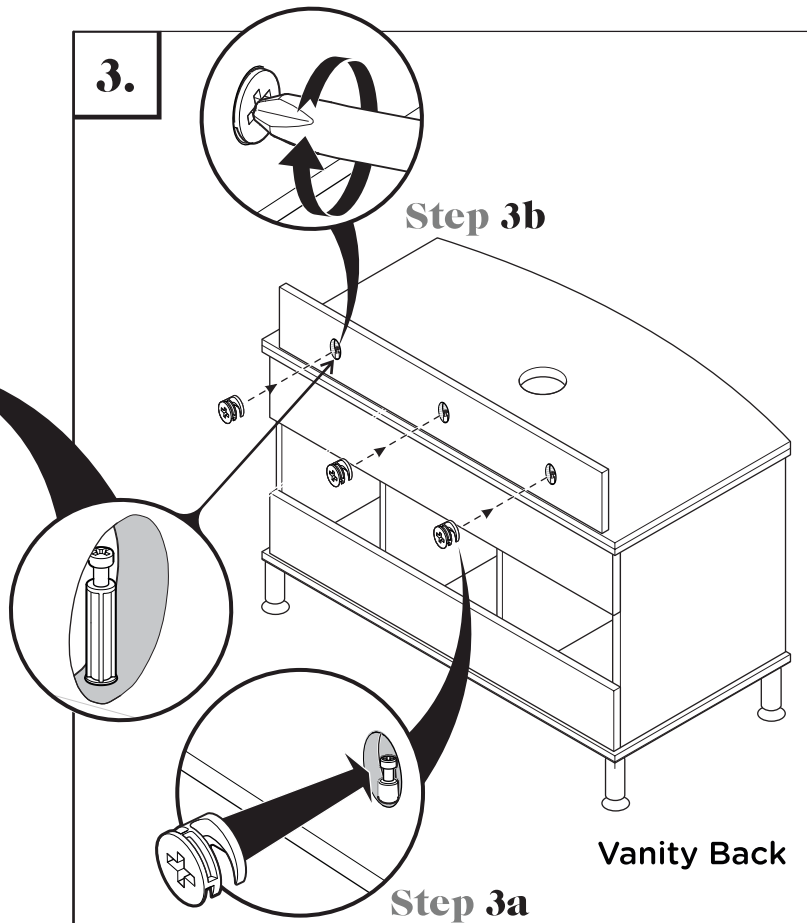
2.



Step 2
FRONT
VIEW



3.

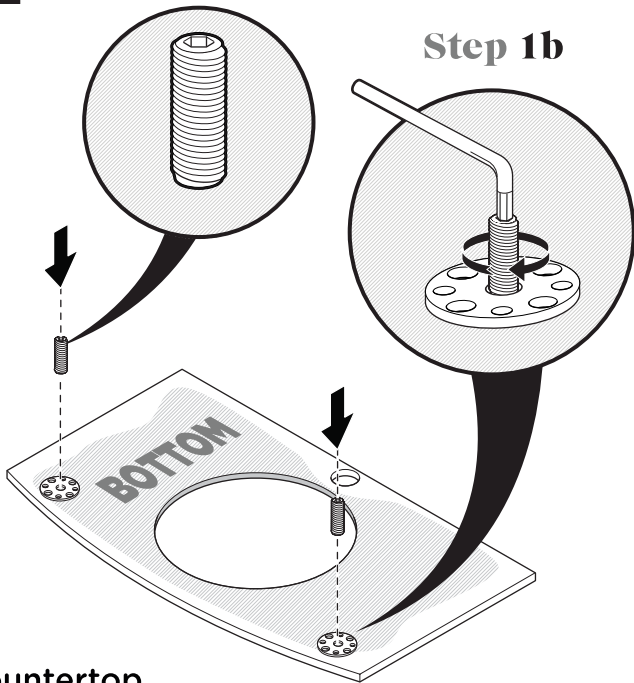


COUNTERTOP INSTALLATION:

1.

Step 1a

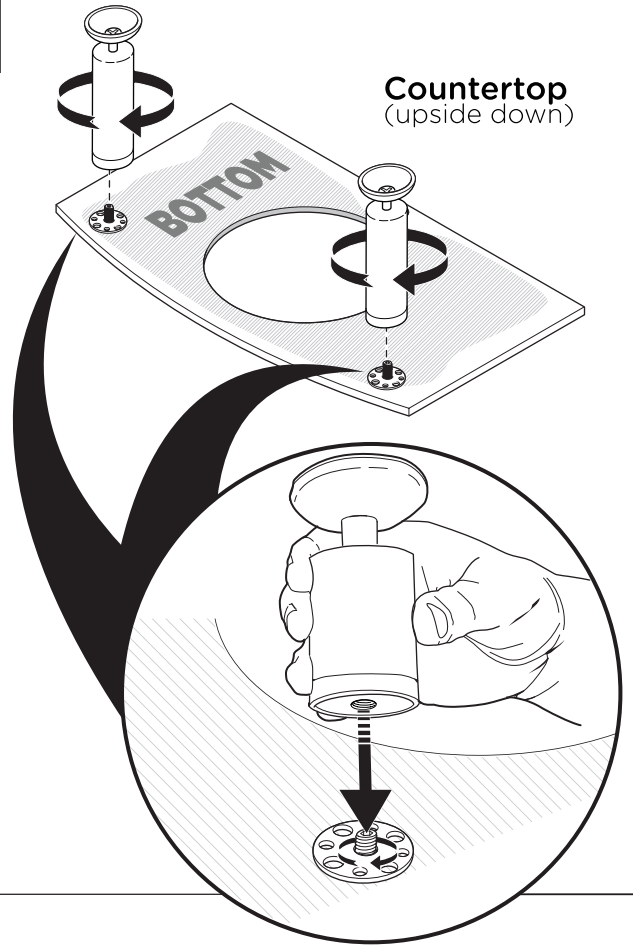
Step 1b



Countertop
(upside down)

2.

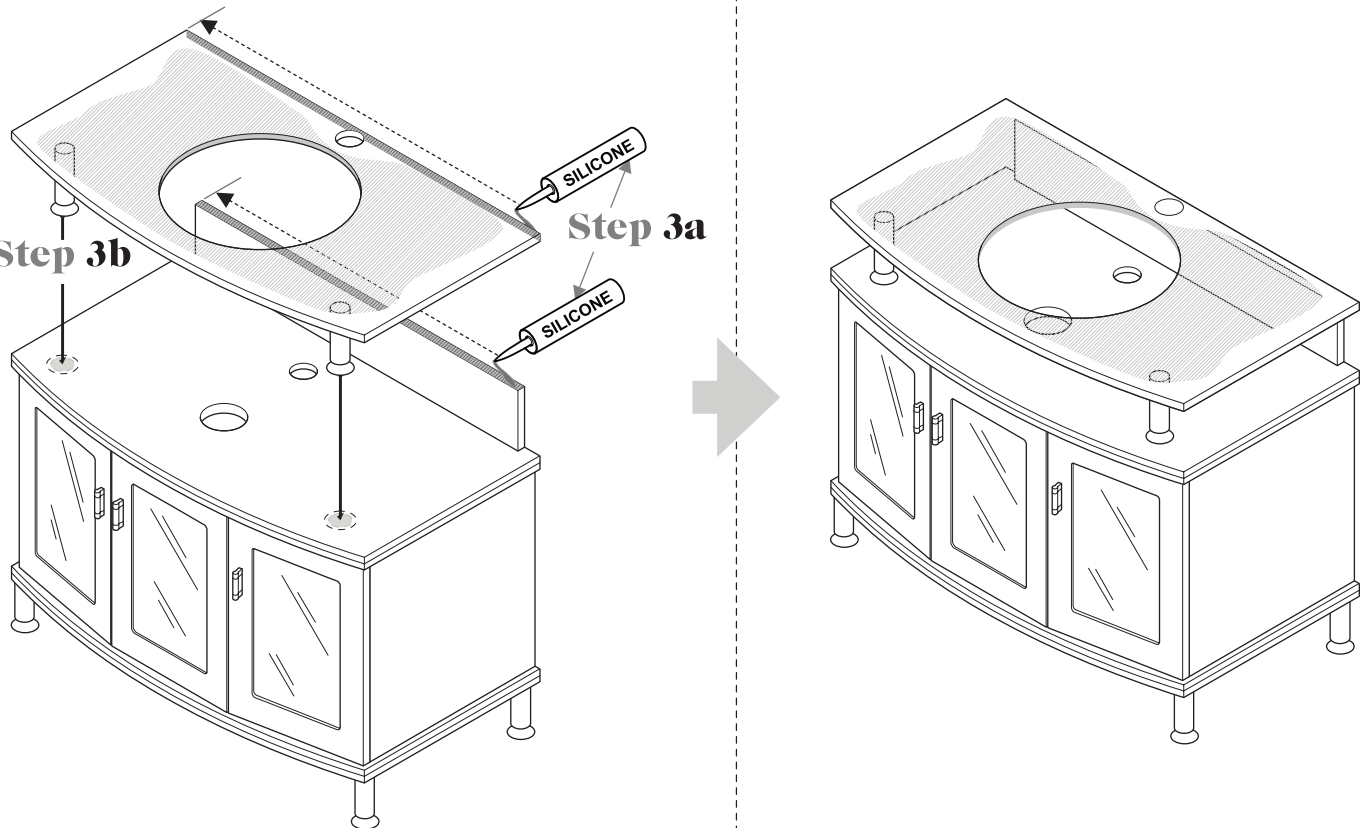
Countertop
(upside down)

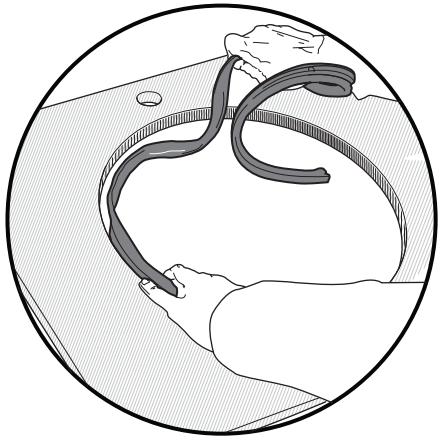


3.

Step 3b

Step 3a

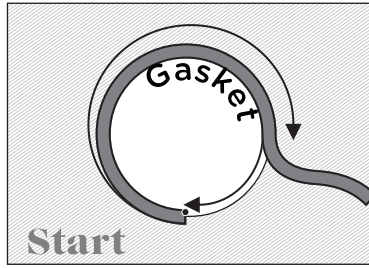




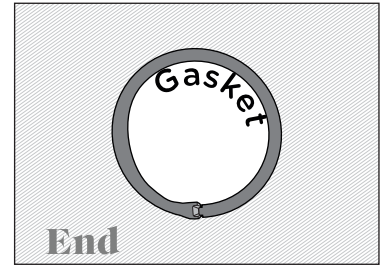
Step 1

GASKET & SINK INSTALLATION:

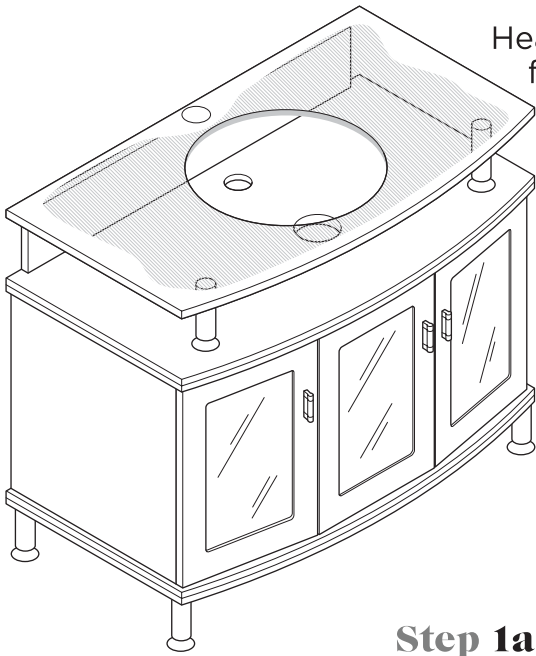
Countertop (Top View)



Countertop (Top View)

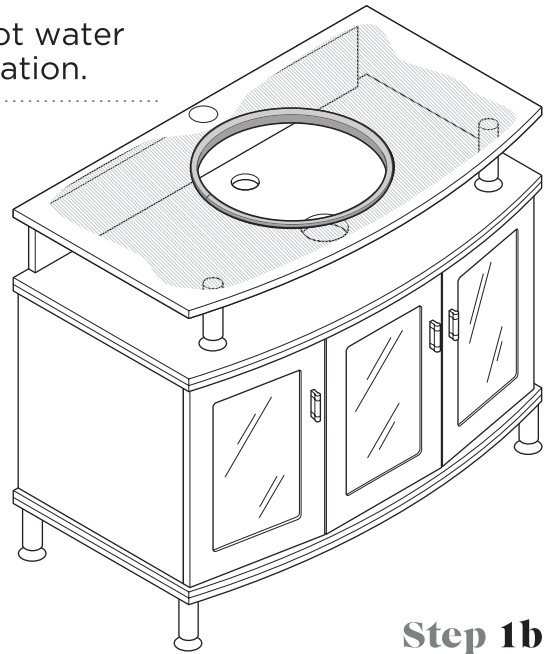


1.



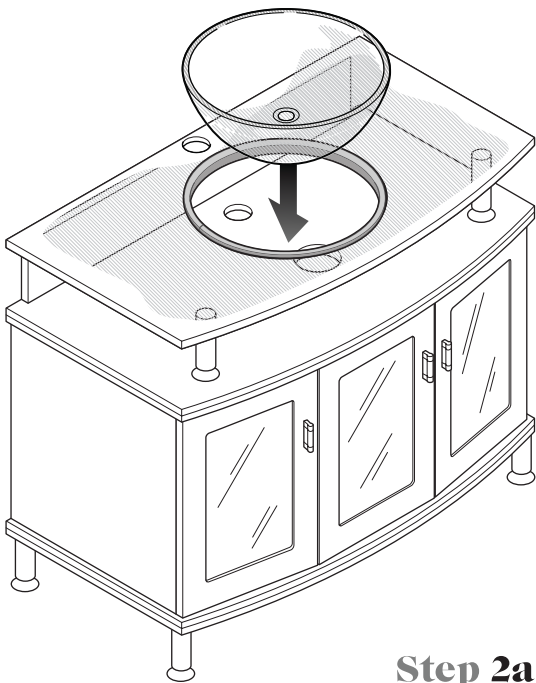
Step 1a

NOTE
Heat gasket in hot water
for easy installation.

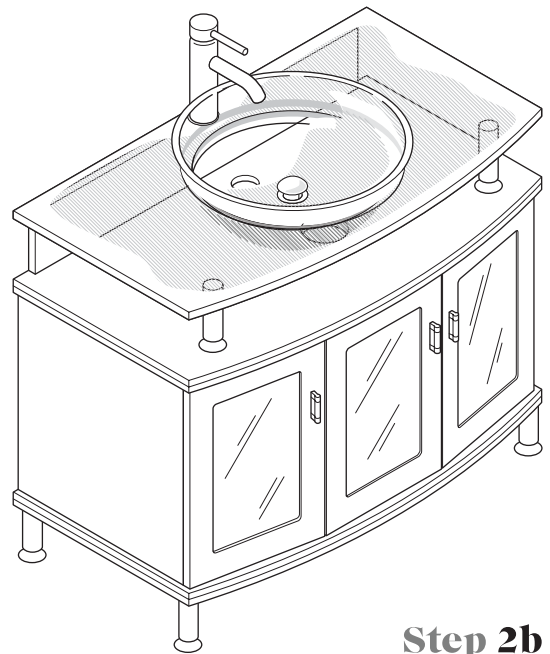


Step 1b

2.



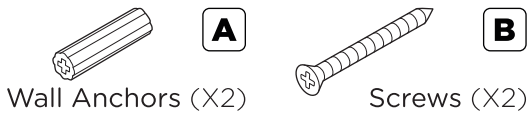
Step 2a



Step 2b

MIRROR INSTALLATION:

PARTS

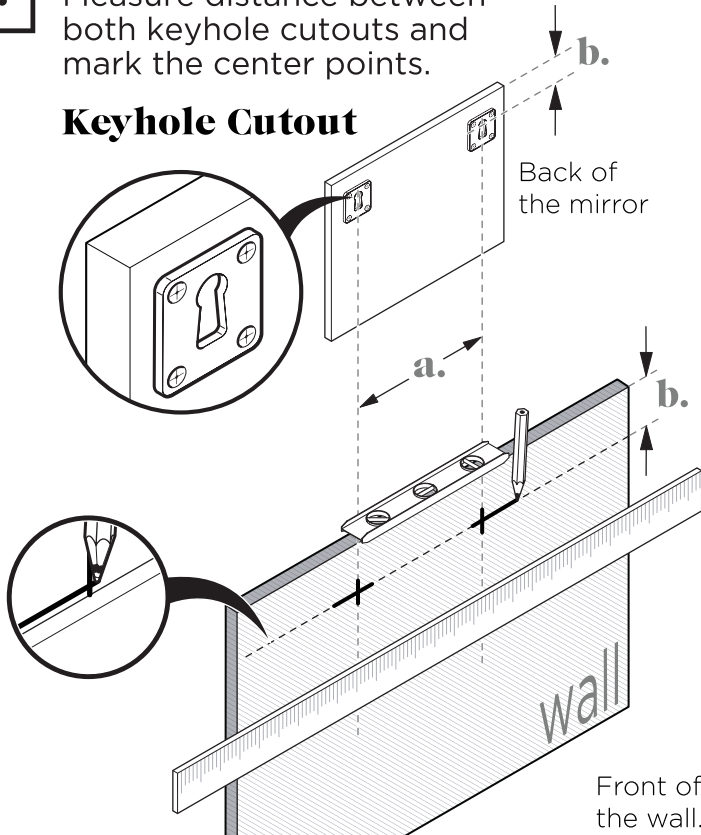


TOOLS FOR ASSEMBLY



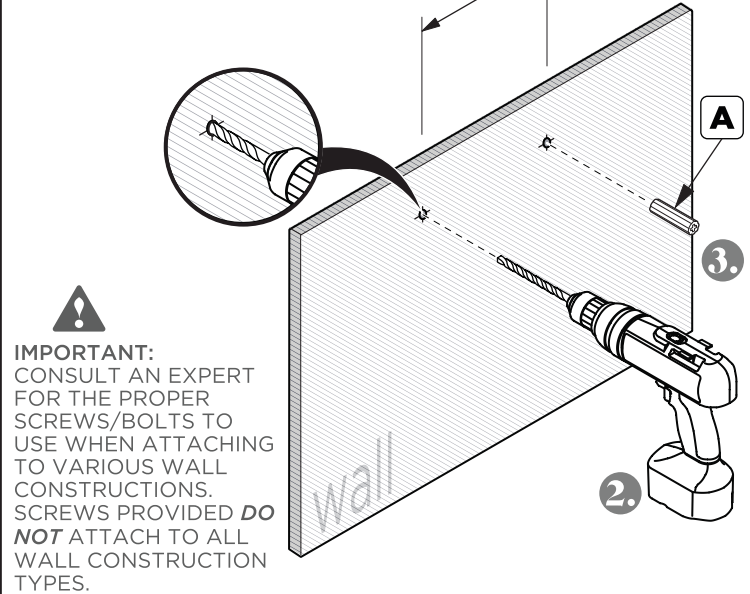
1. Measure distance between both keyhole cutouts and mark the center points.

Keyhole Cutout



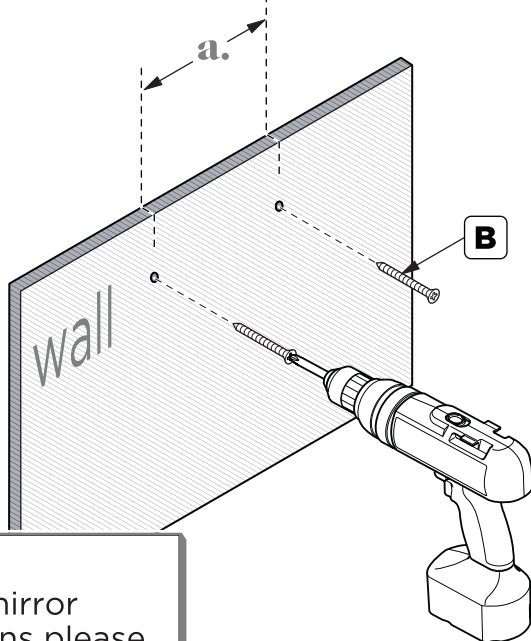
2. Drill marked location of the screws on the wall.

3. Insert the wall anchors (if applicable).



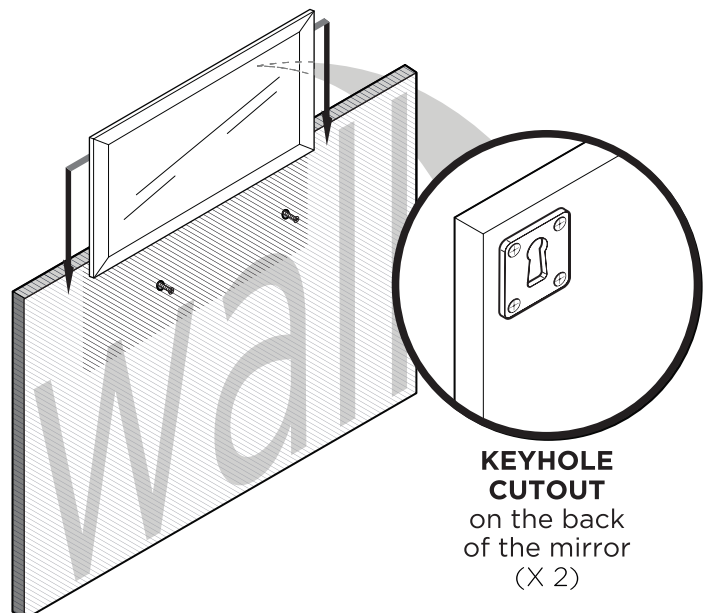
Note: Use anchors (A) only if stud (2"x4" frame) is not available.

4. Attach screws using a drill or screwdriver.



Note: For the mirror dimensions please see PAGE 2.

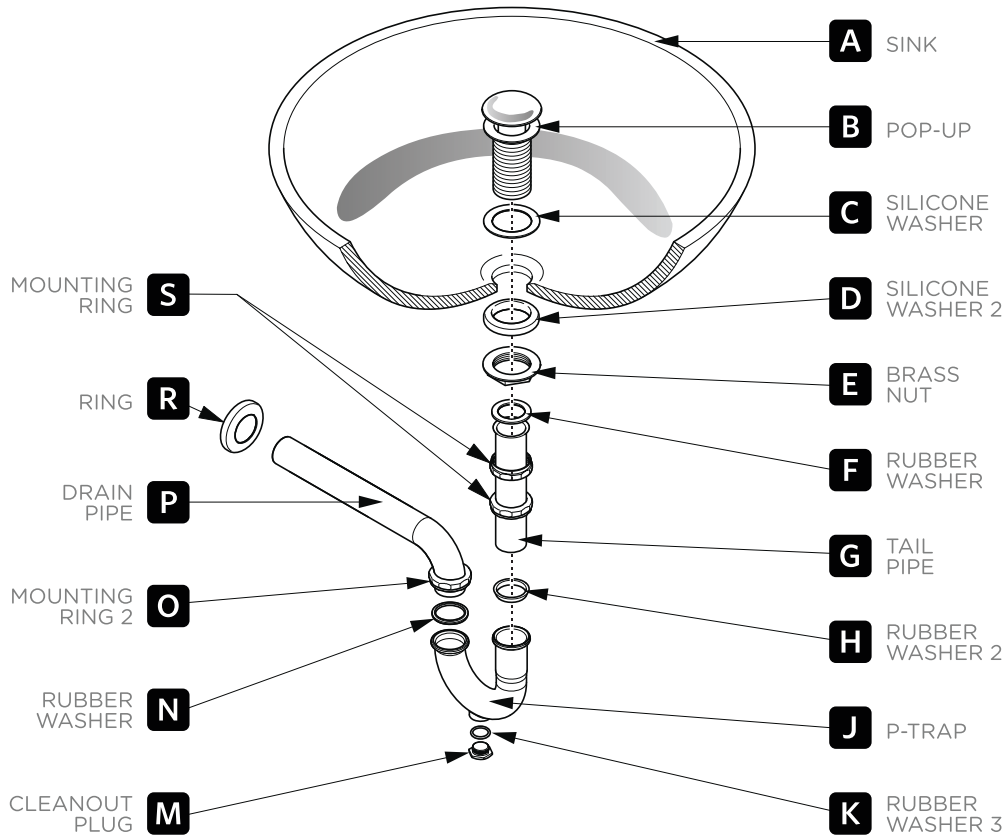
5. Hang up the mirror by placing each keyhole cutout securely over the screws.



P-TRAP & POP-UP

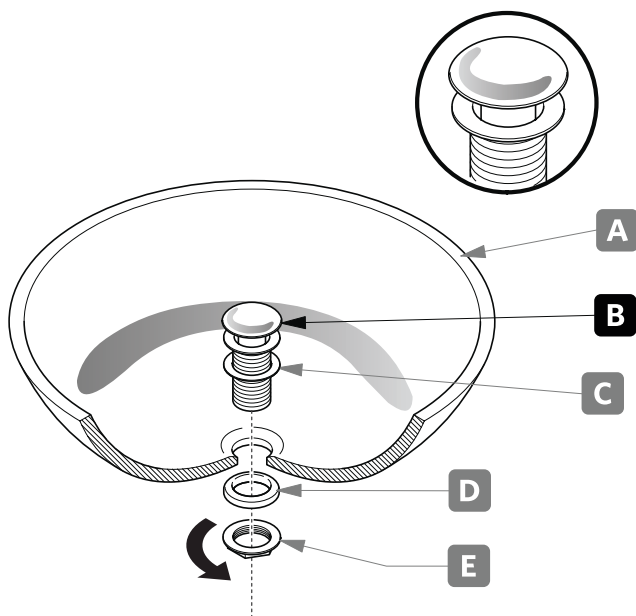
INSTALLATION INSTRUCTIONS

YOUR ITEM MAY APPEAR SLIGHTLY DIFFERENT FROM THE ILLUSTRATION.



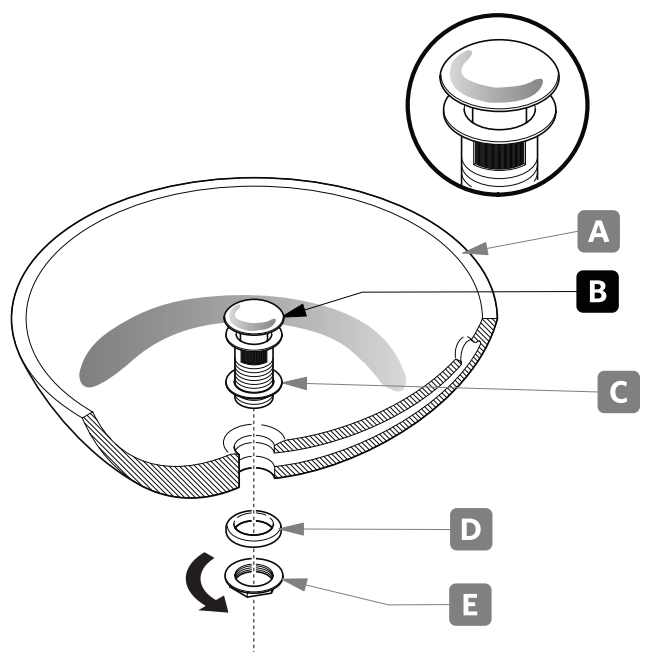
POP-UP INSTALLATION

FOR SINKS
WITHOUT OVERFLOW



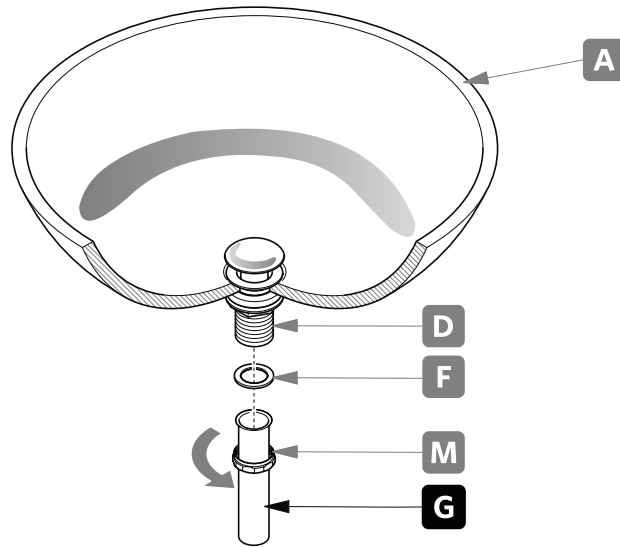
OR

FOR SINKS
WITH OVERFLOW



P-TRAP INSTALLATION

1. Install tail pipe (**G**).



2. Install P-trap (**J**).

