



FRESCA®

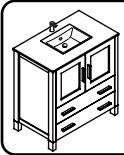
FVN6230-UNS

TORINO

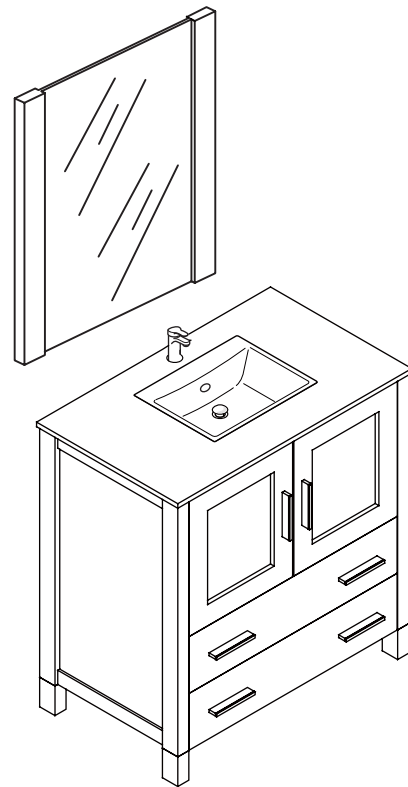
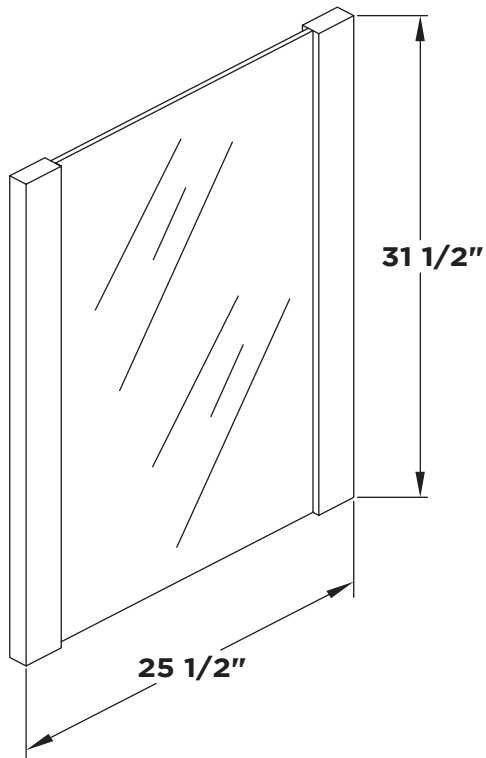
INSTALLATION GUIDE

CONTENTS:

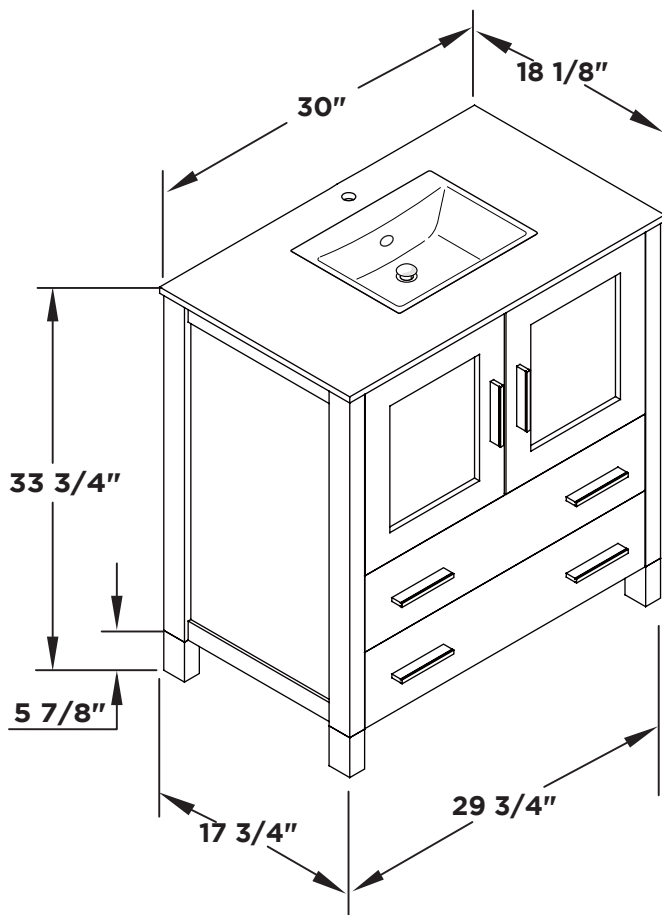
Cabinet...(FCB6230).....	PAGE 3 (STEP 3)
Sink.....(FVS6230).....	PAGE 4 (STEP 4)
Mirror.....(FMR6230).....	PAGE 2



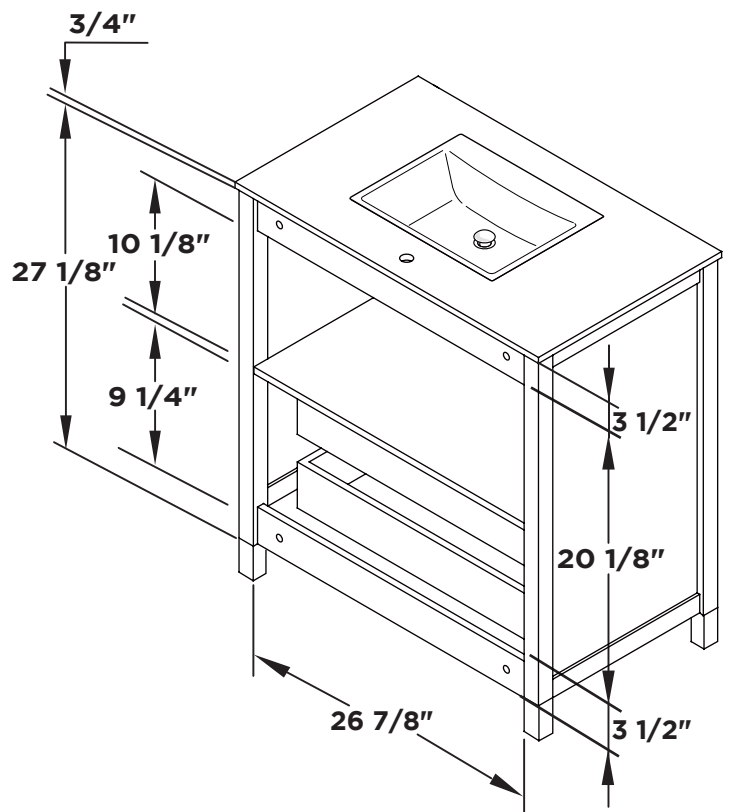
Mirror



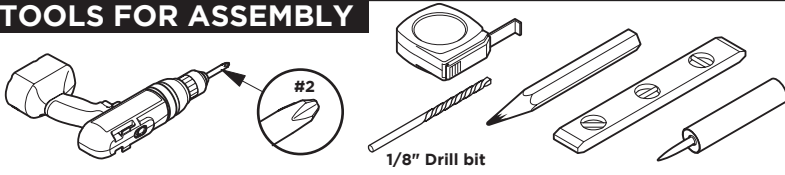
Vanity Front



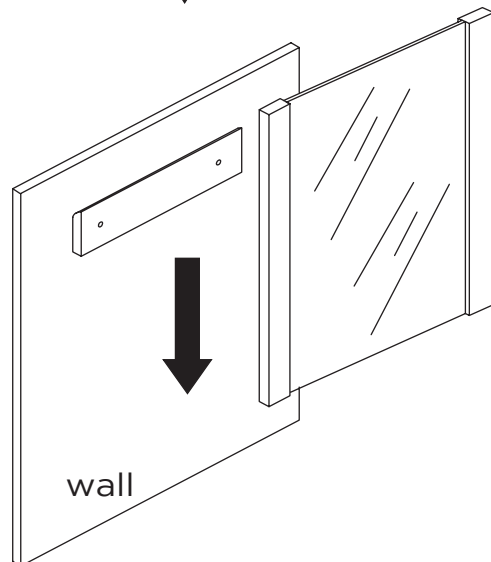
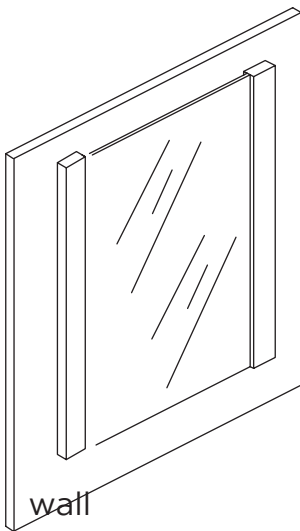
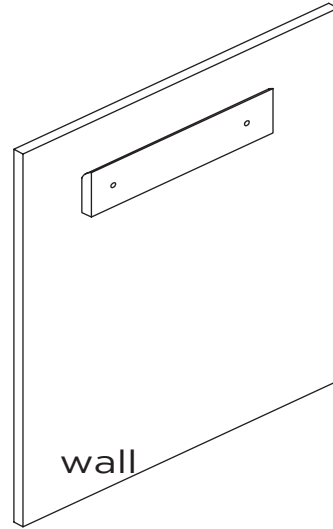
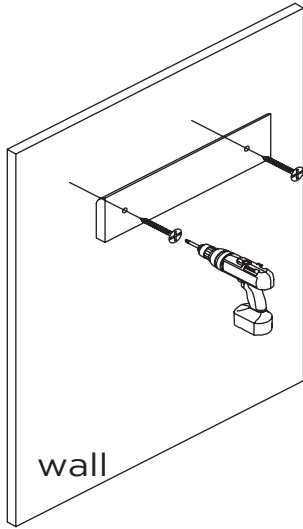
Vanity Back



TOOLS FOR ASSEMBLY

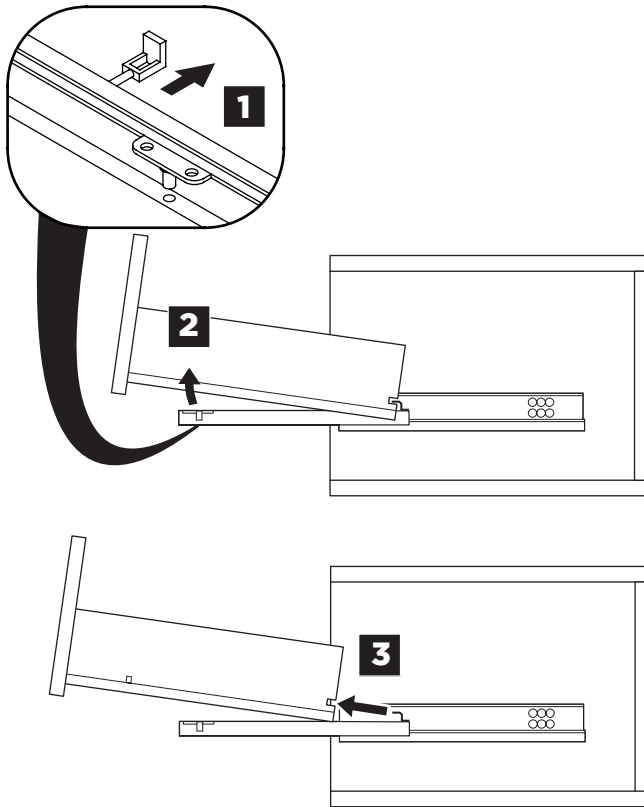


MIRROR INSTALLATION

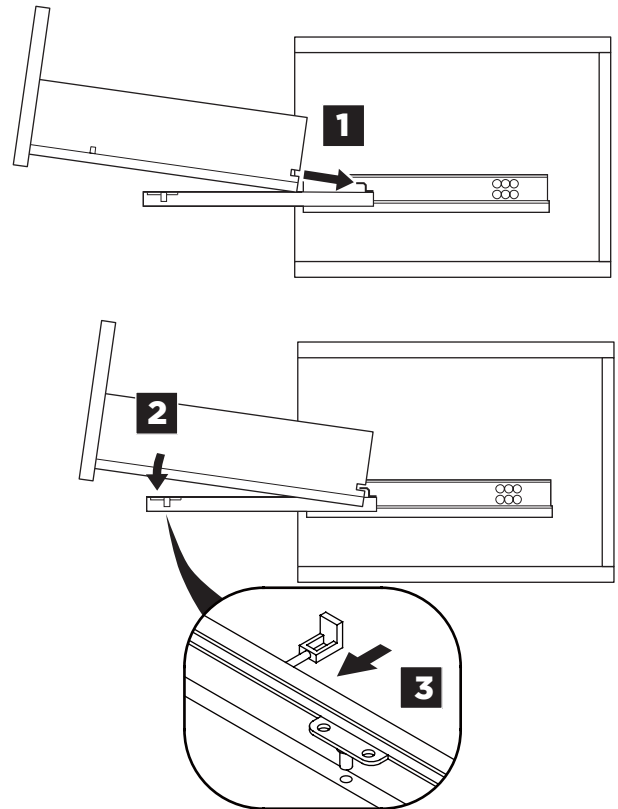


DRAWER REMOVAL & INSTALLATION

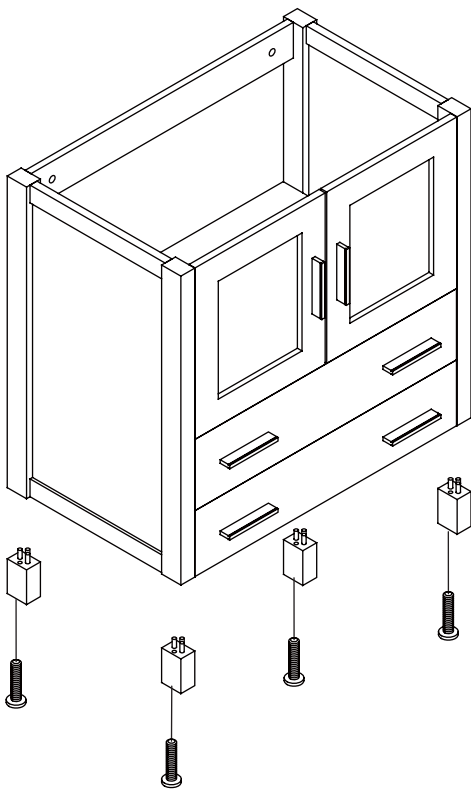
REMOVAL



INSTALLATION



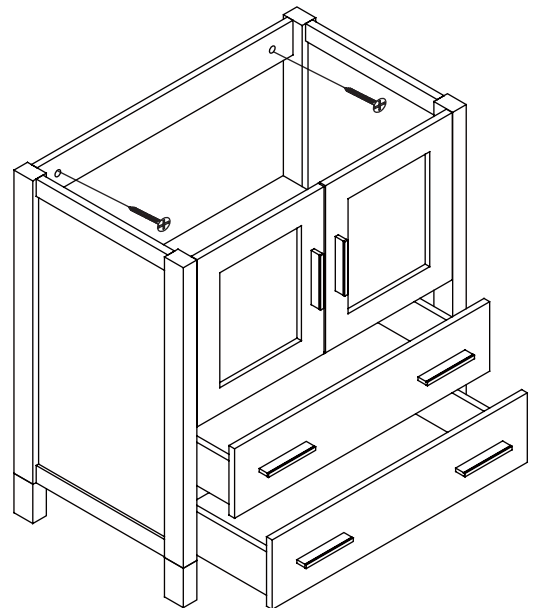
1 Install leg



2 Remove drawer

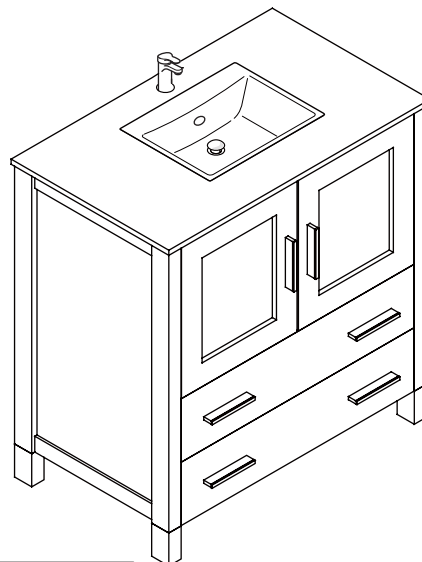
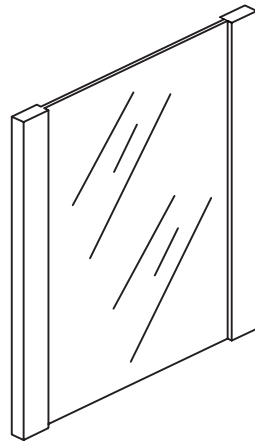
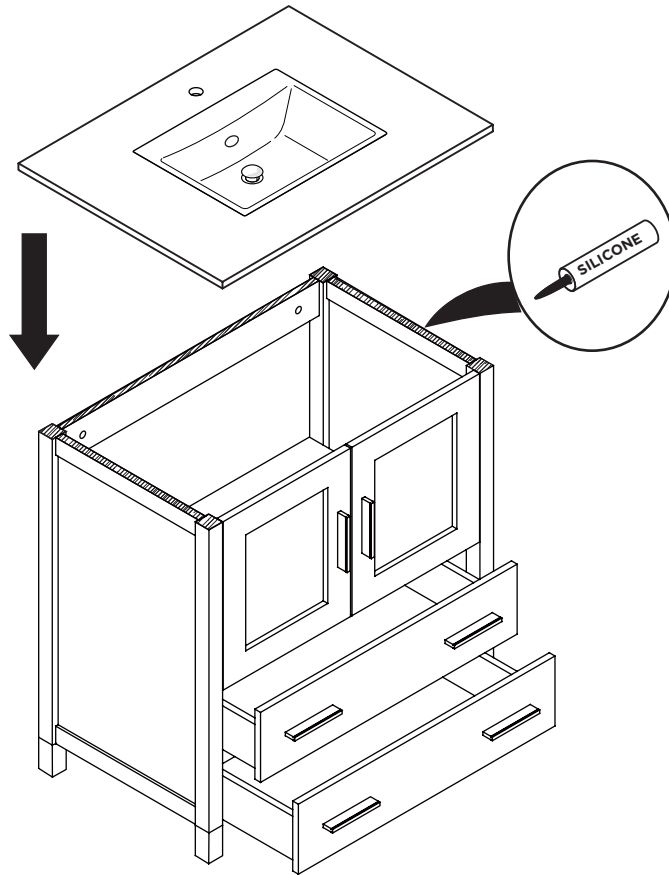
3 Install cabinet

IMPORTANT: Consult an expert for the proper screws/bolts to use when attaching to various wall constructions. Screws provided do not attach to all wall construction types.

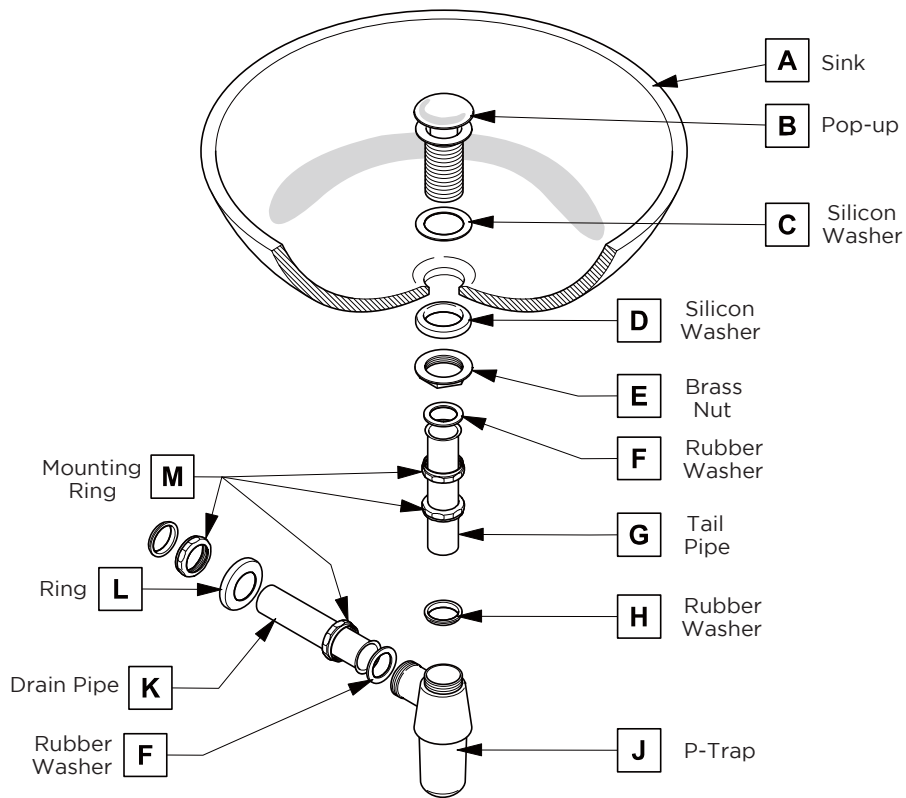


4

Install top panel

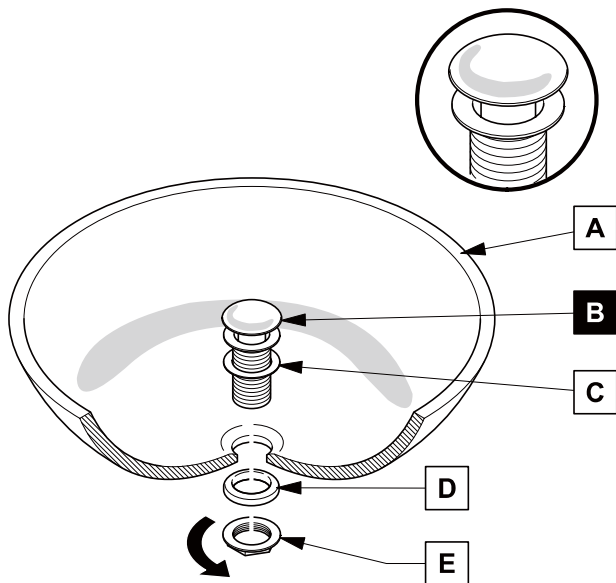


P-TRAP AND POP-UP INSTALLATION INSTRUCTIONS



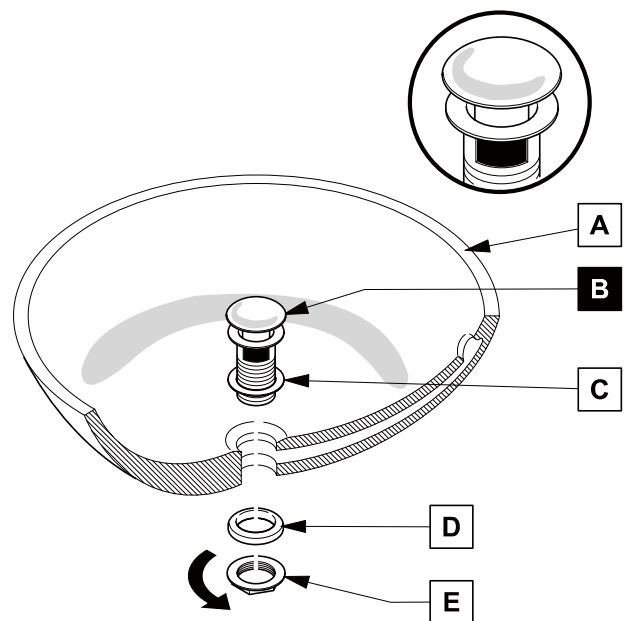
POP-UP INSTALLATION

FOR SINKS WITHOUT OVERFLOW



OR

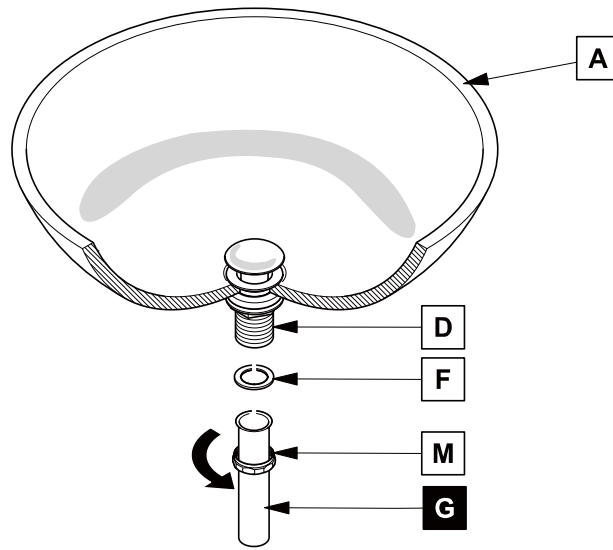
FOR SINKS WITH OVERFLOW



P-TRAP INSTALLATION

1

Install tail pipe (G)



2

Install p-trap (J)

