



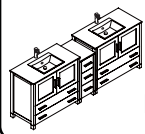
FRESCA®

FVN62-361236-UNS TORINO

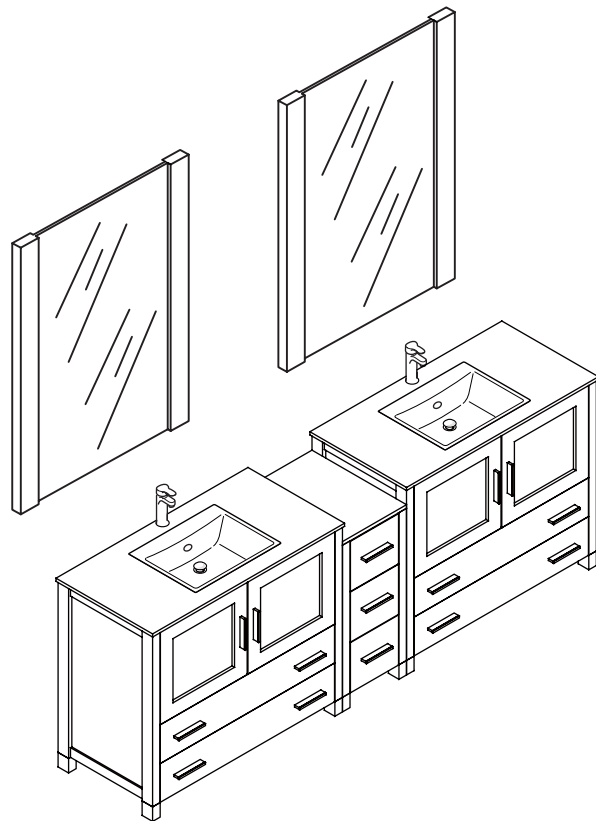
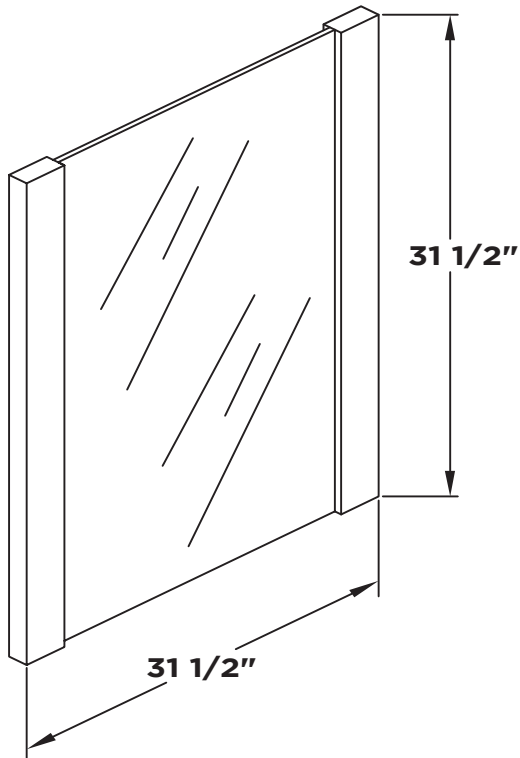
INSTALLATION GUIDE

CONTENTS:

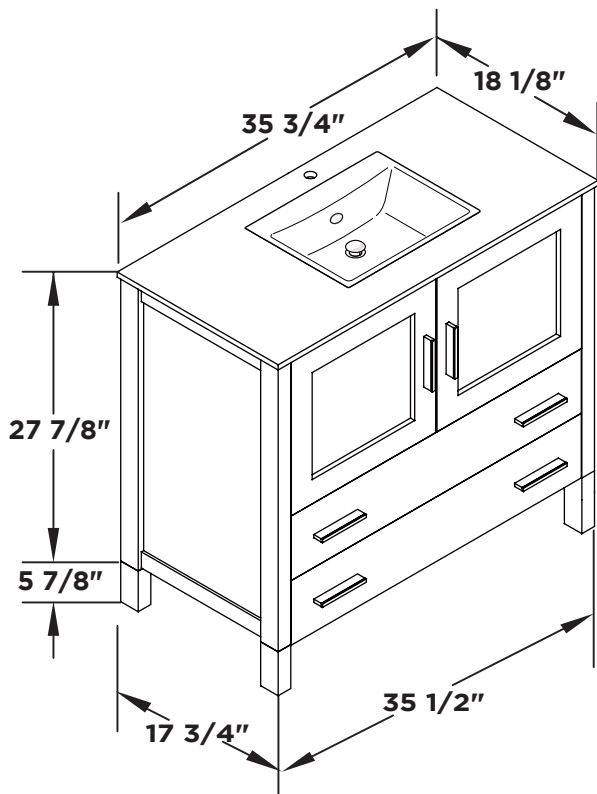
Cabinet...(FCB6236).....	PAGE 4 (STEP 3)
Sink.....(FVS6236).....	PAGE 4 (STEP 4)
Mirror.....(FMR6236).....	PAGE 2



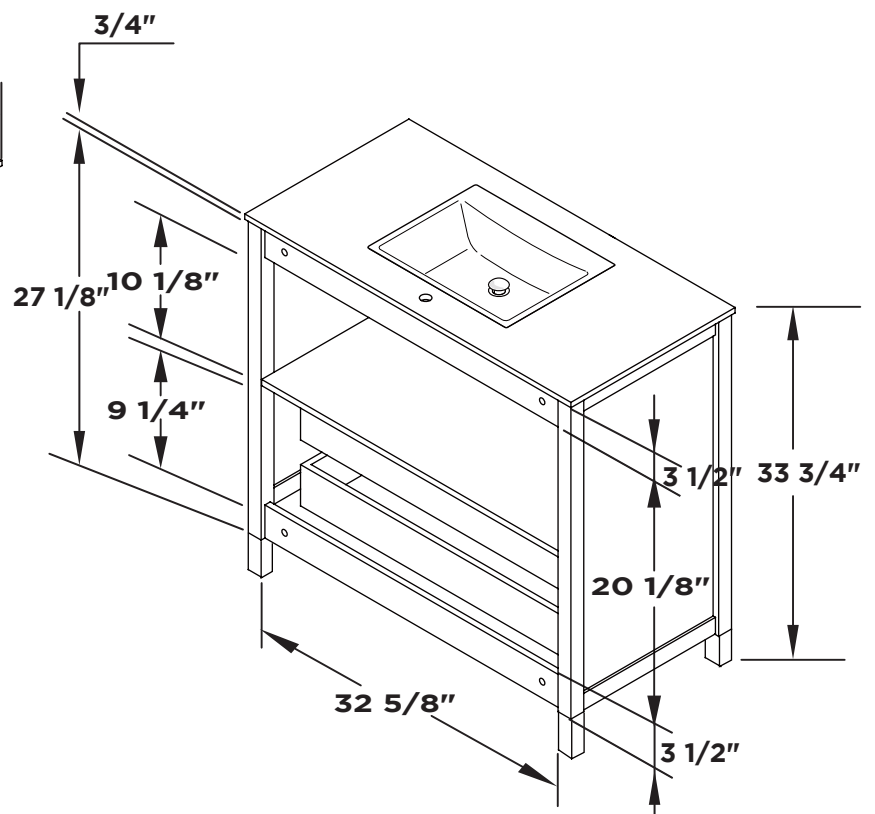
Mirror 2PCS



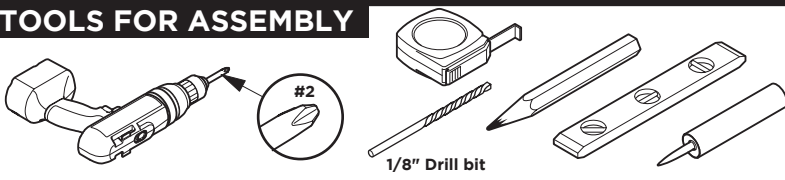
Vanity Front 2PCS



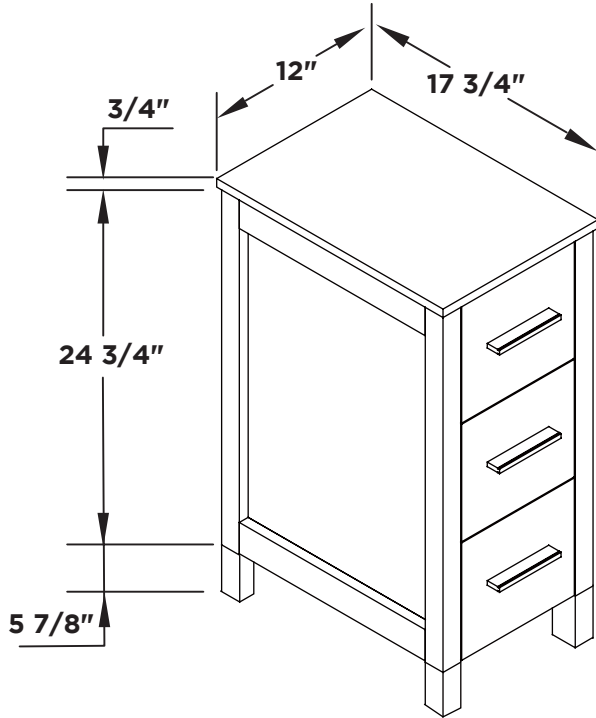
Vanity Back 2PCS



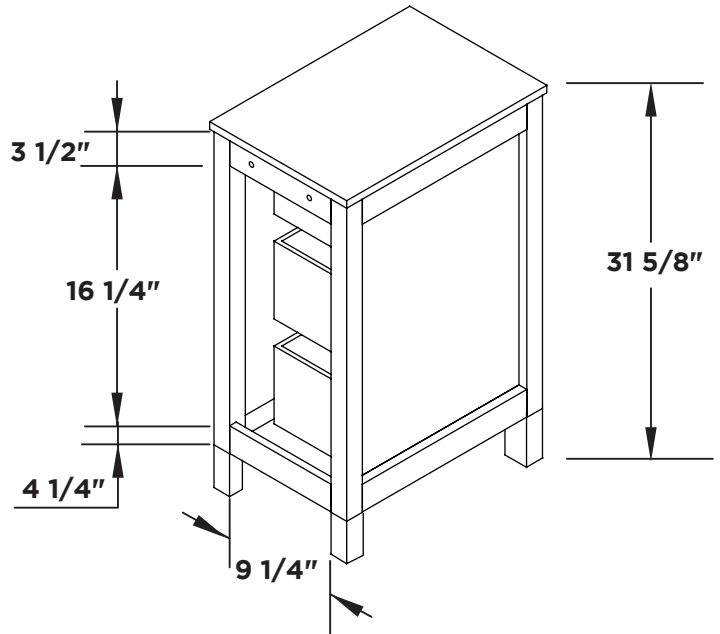
TOOLS FOR ASSEMBLY



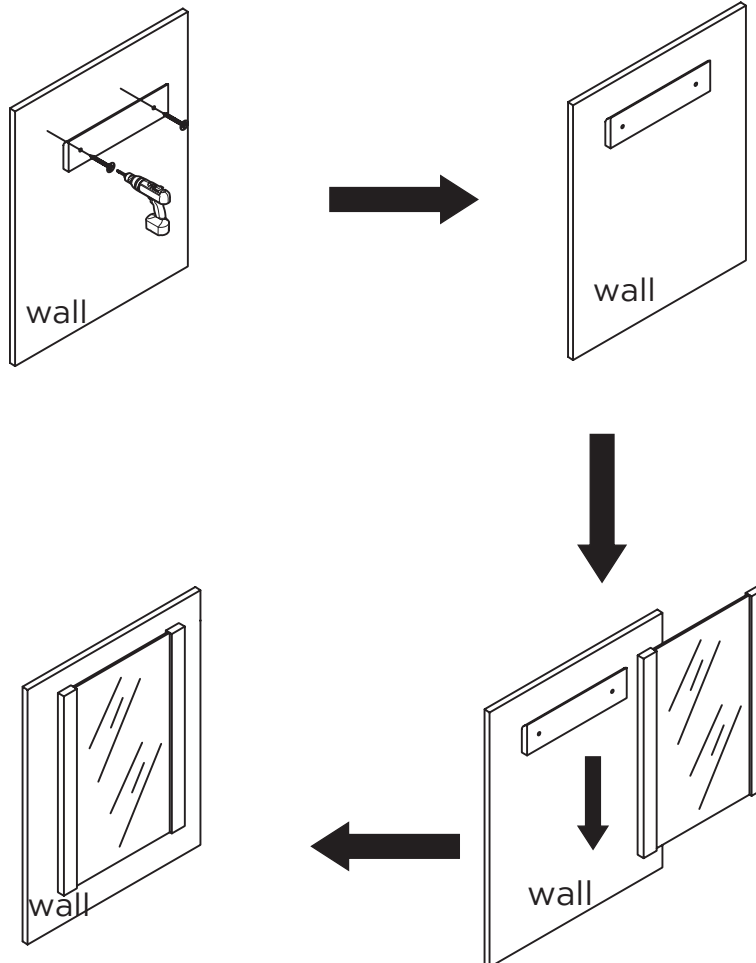
Side Cabinet Front



Side Cabinet Back

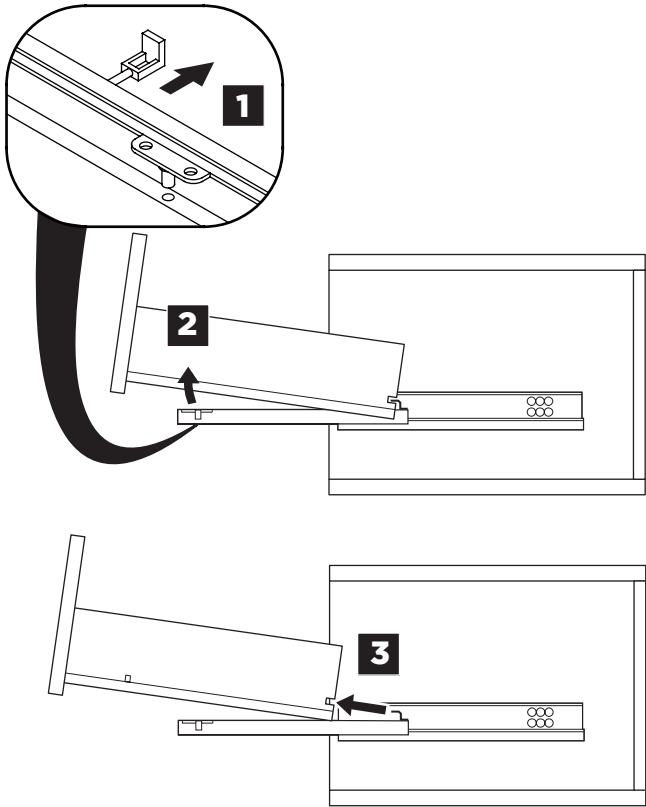


MIRROR INSTALLATION

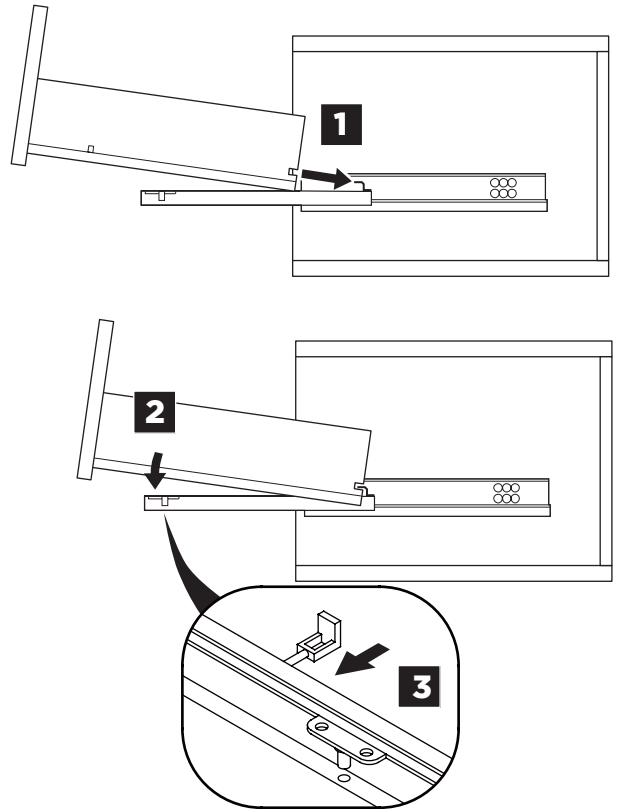


DRAWER REMOVAL & INSTALLATION

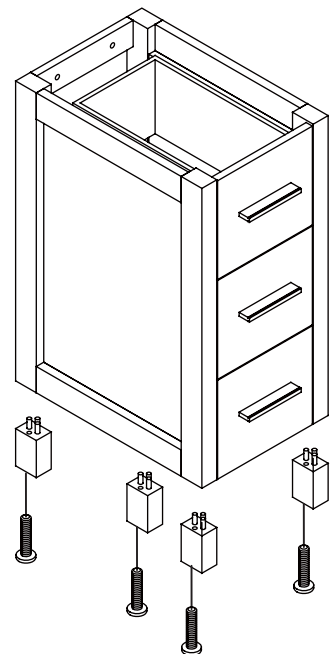
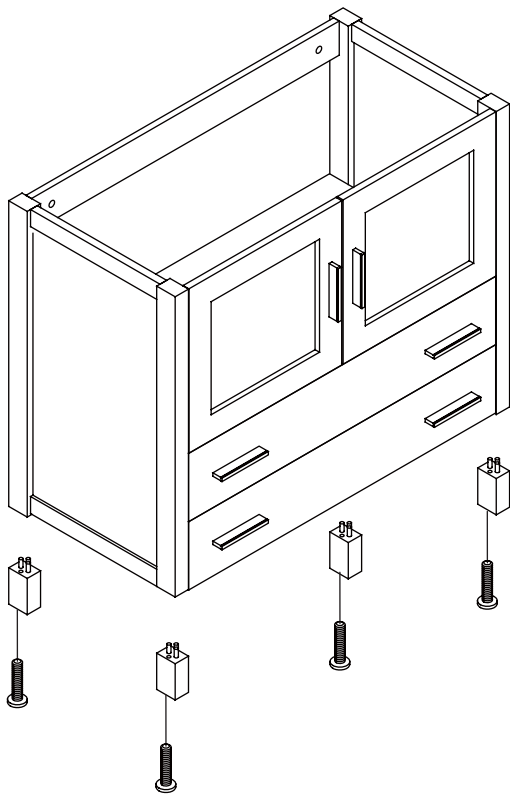
REMOVAL



INSTALLATION



1 Install leg



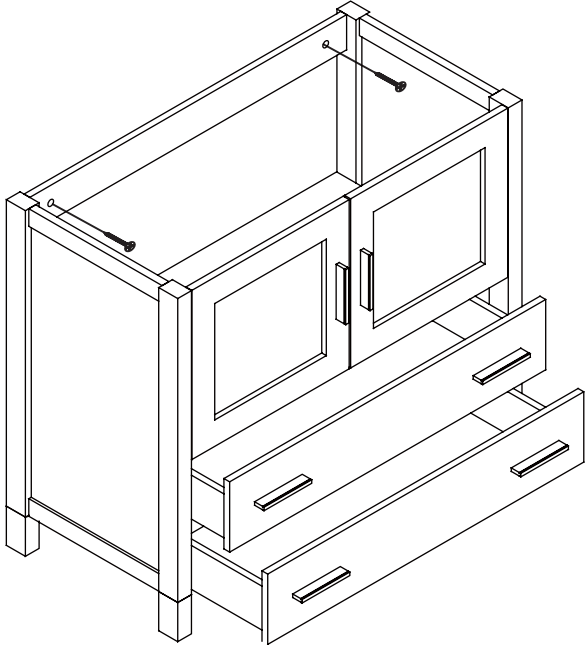
2

Remove side cabinet drawer

3

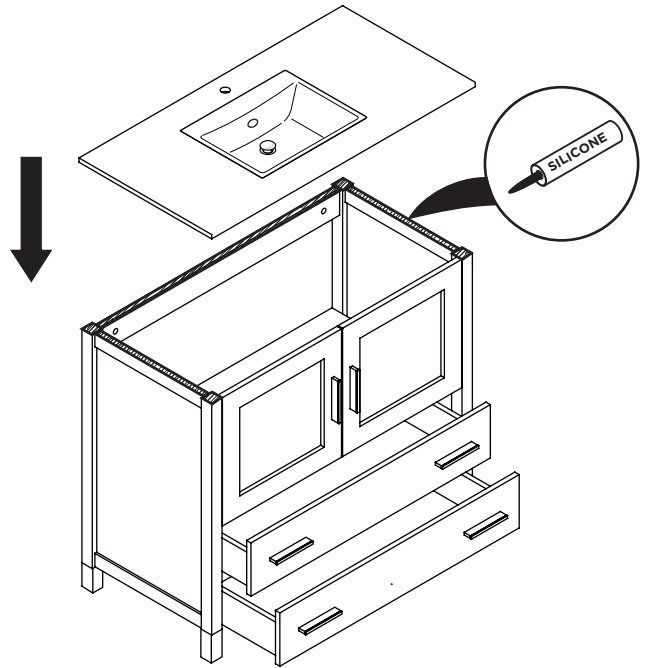
Install side cabinet

IMPORTANT: Consult an expert for the proper screws/bolts to use when attaching to various wall constructions. Screws provided do not attach to all wall construction types.



4

Install top panel

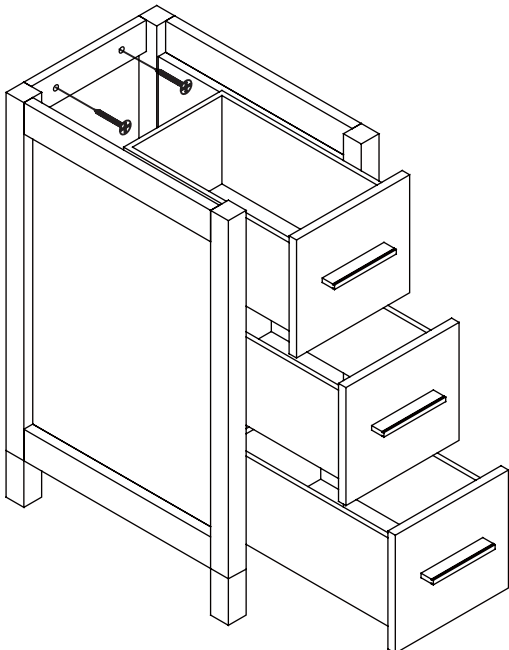


5

Remove side cabinet drawer

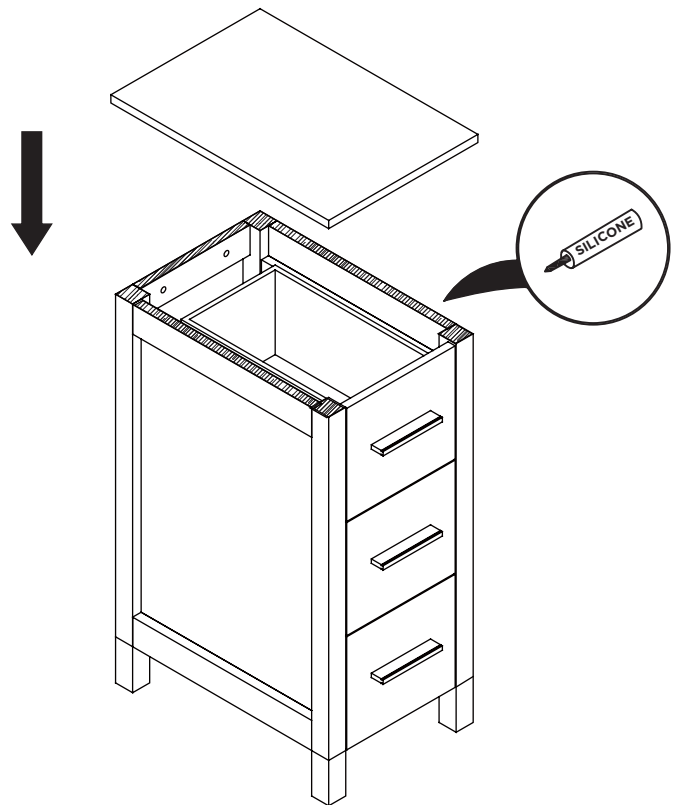
6

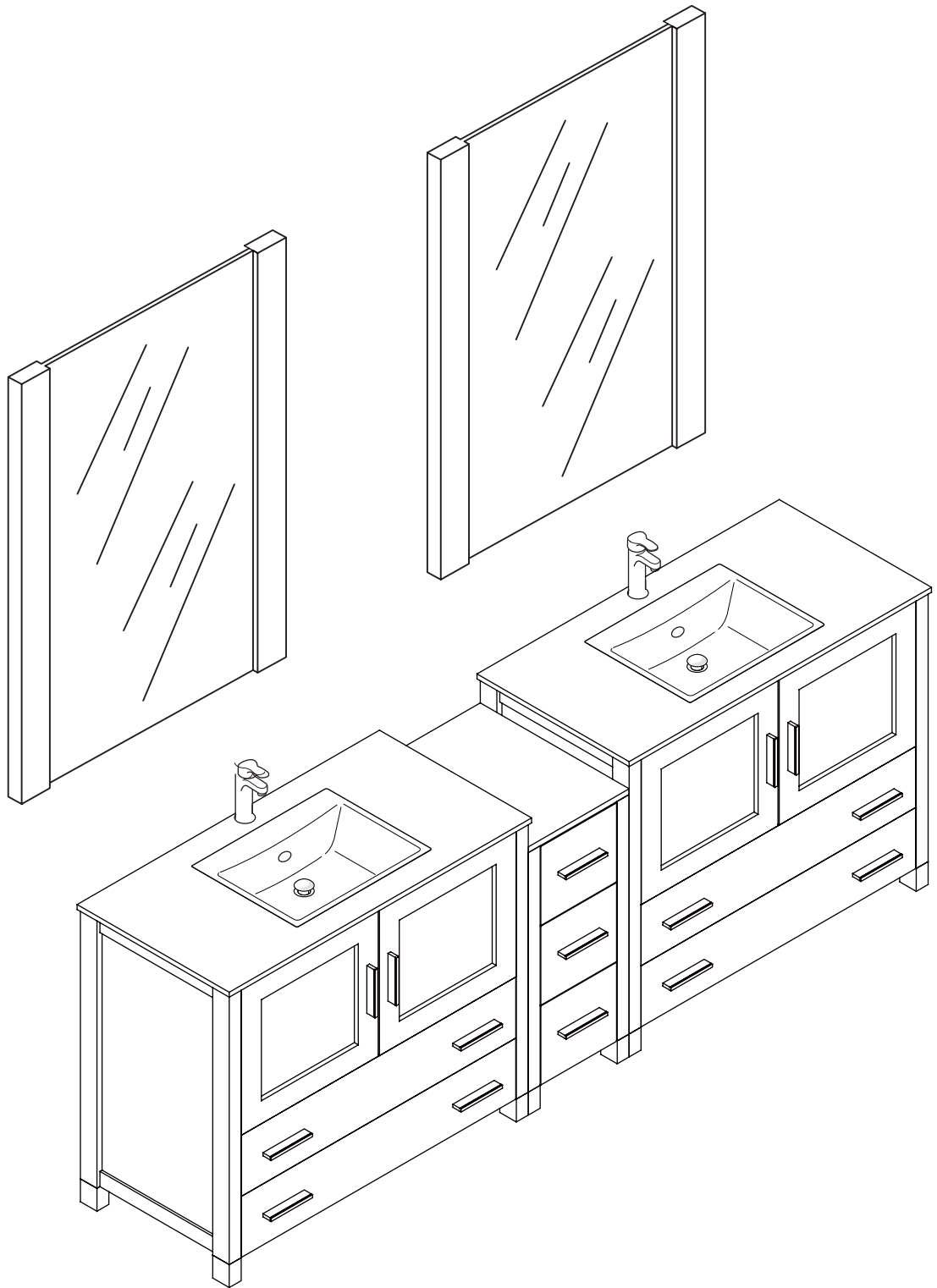
Install side cabinet



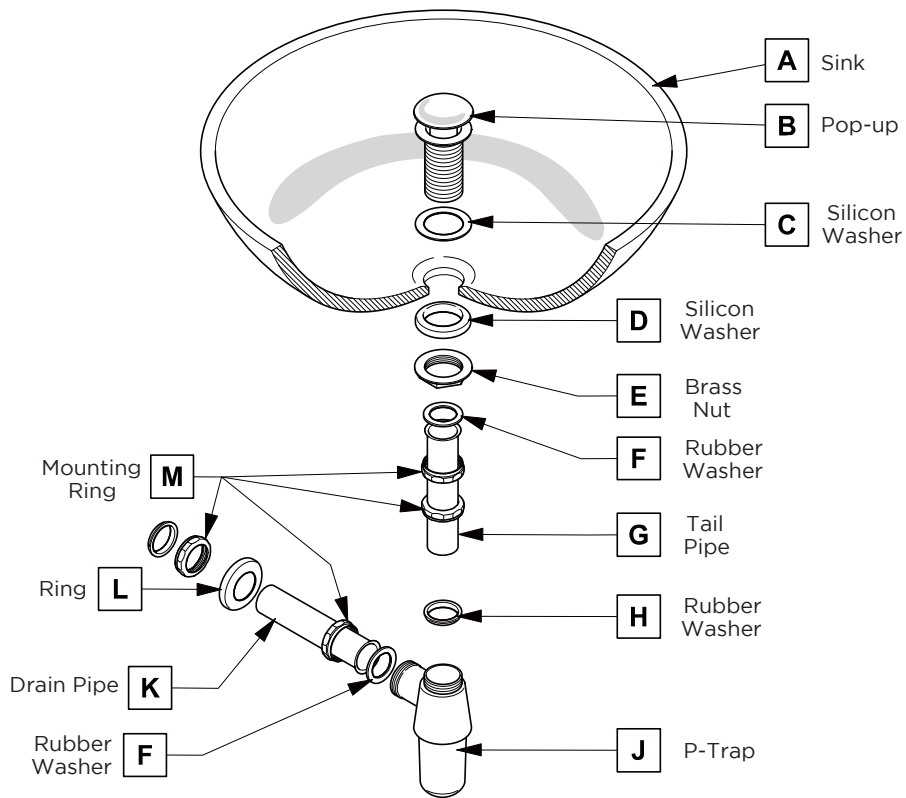
7

Install side cabinet top panel



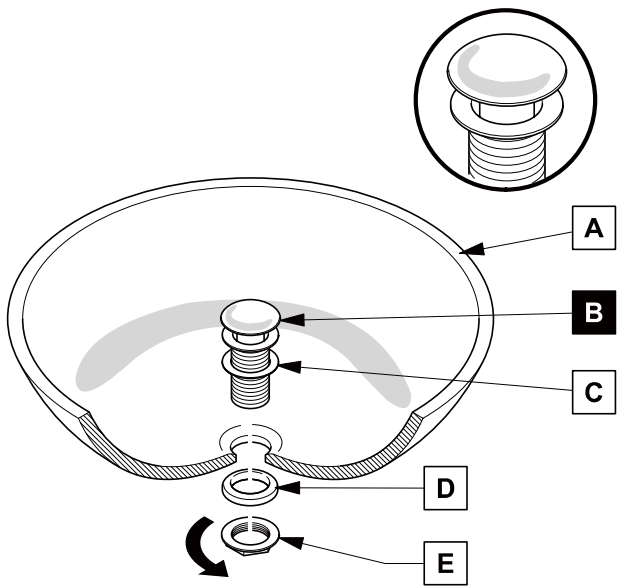


P-TRAP AND POP-UP INSTALLATION INSTRUCTIONS



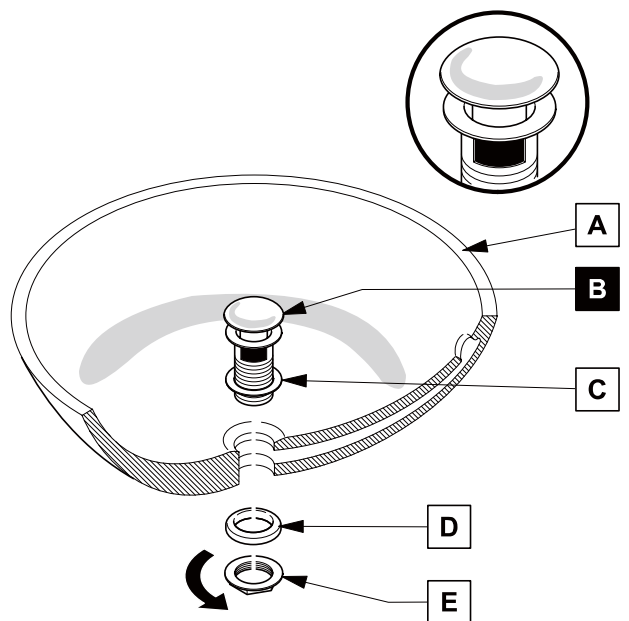
POP-UP INSTALLATION

FOR SINKS WITHOUT OVERFLOW



OR

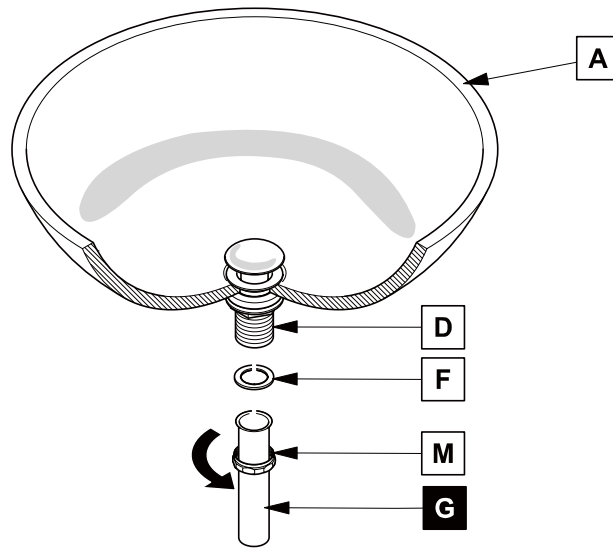
FOR SINKS WITH OVERFLOW



P-TRAP INSTALLATION

1

Install tail pipe (G)



2

Install p-trap (J)

