



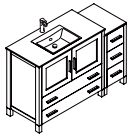
FVN62-3612-UNS

TORINO

INSTALLATION GUIDE

CONTENTS:

| | |
|---------------------------|--------------------|
| Cabinet...(FCB6236)..... | PAGE 4 (STEP 3) |
| Sink.....(FVS6236)..... | PAGE 4 (STEP 4) |
| Mirror.....(FMR6236)..... | PAGE 2 |



FVN62-3612-UNS

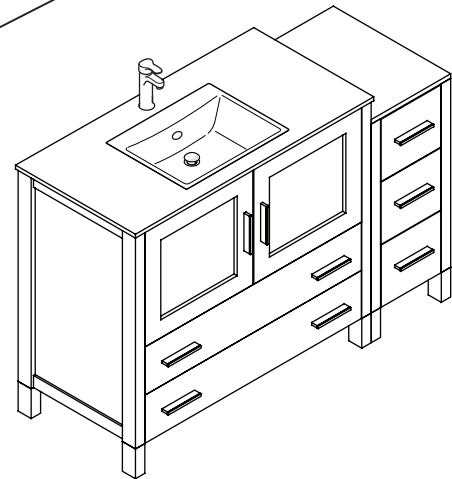
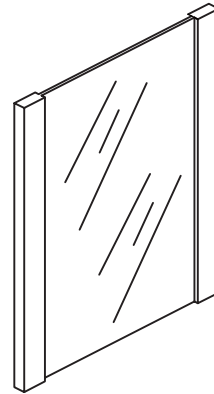
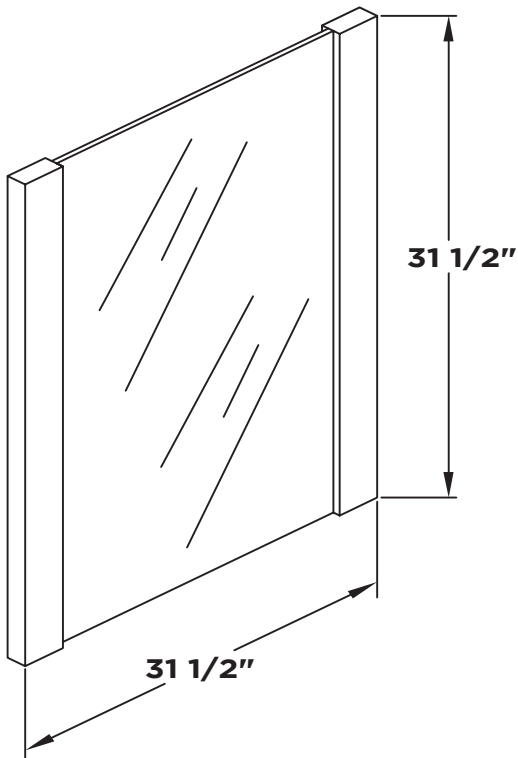
TORINO

INSTALLATION GUIDE

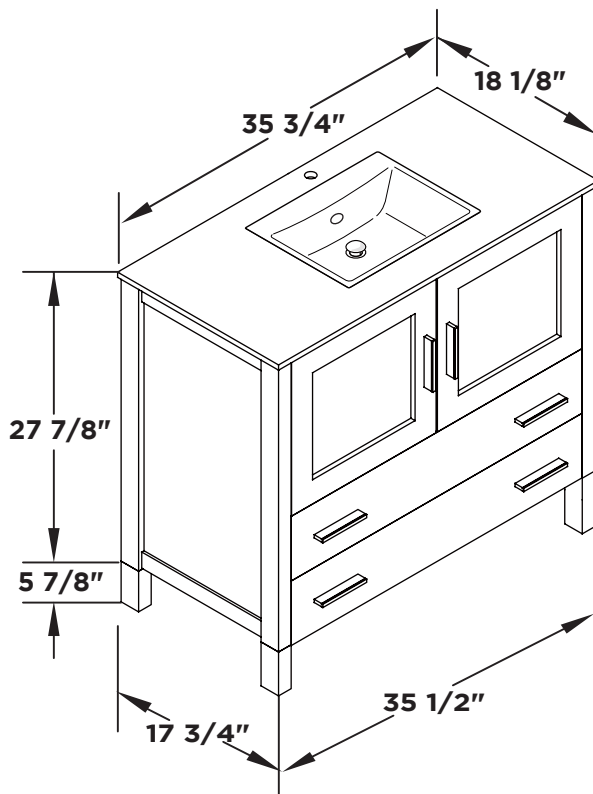


FRESCA

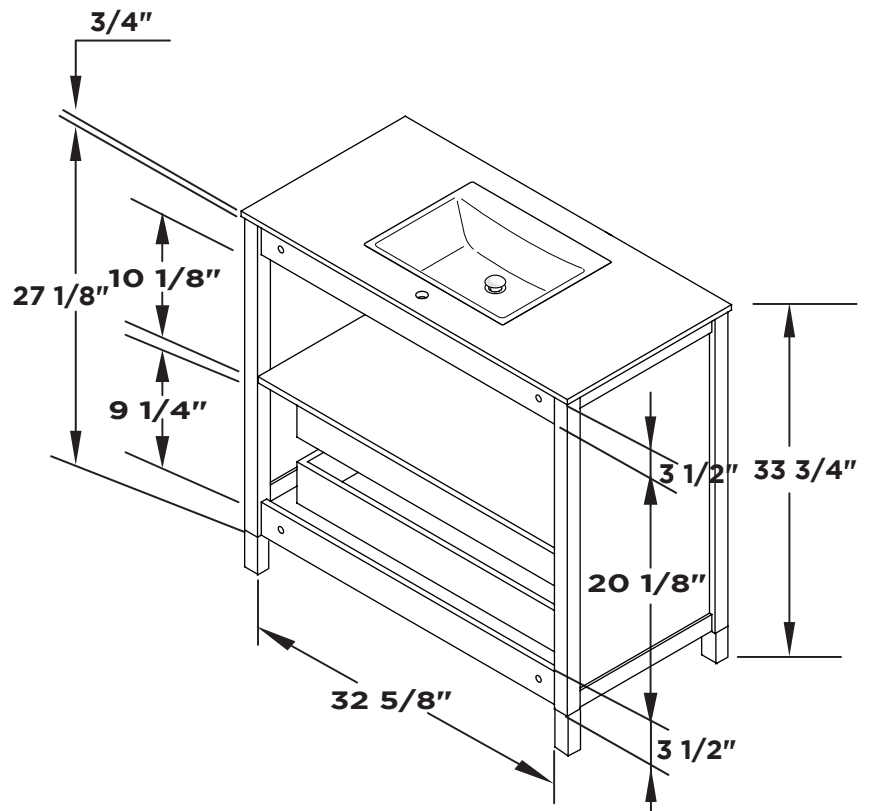
Mirror



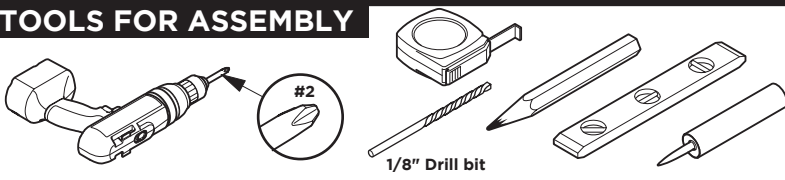
Vanity Front



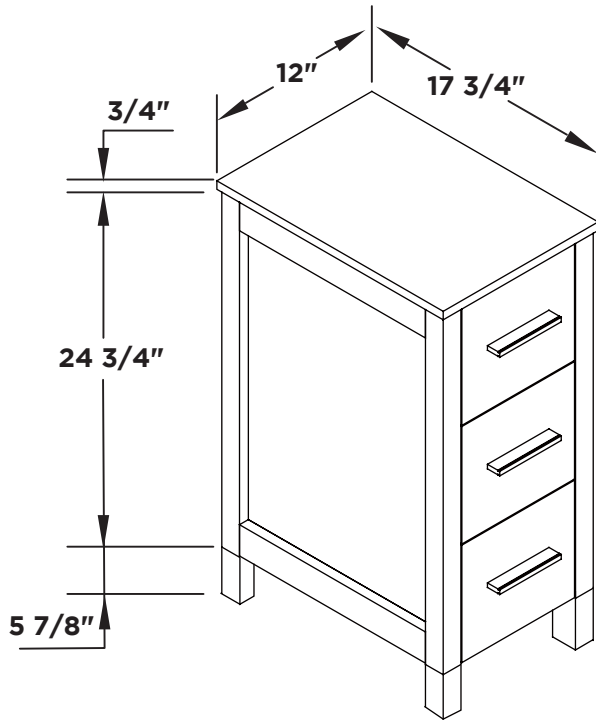
Vanity Back



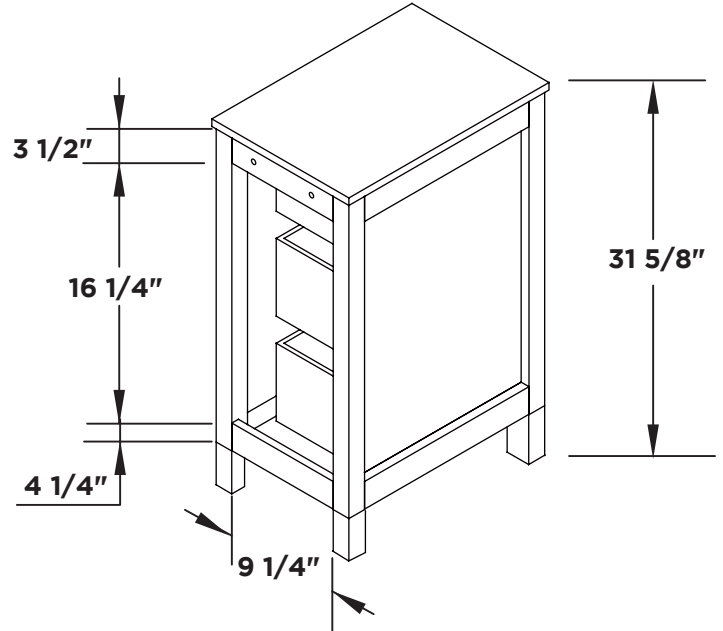
TOOLS FOR ASSEMBLY



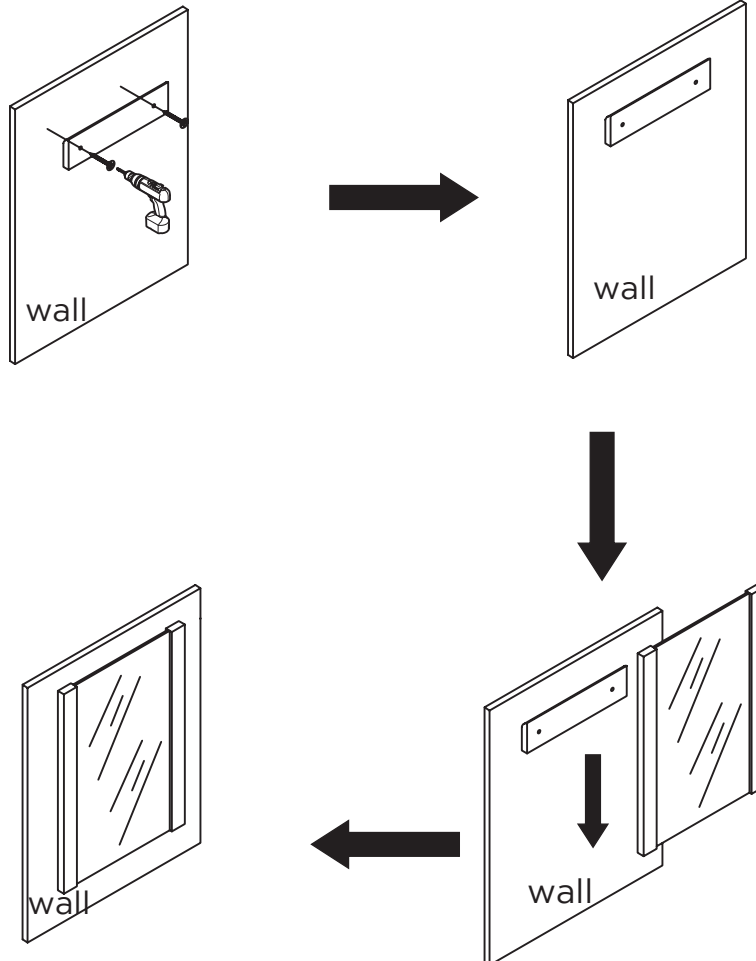
Side Cabinet Front



Side Cabinet Back

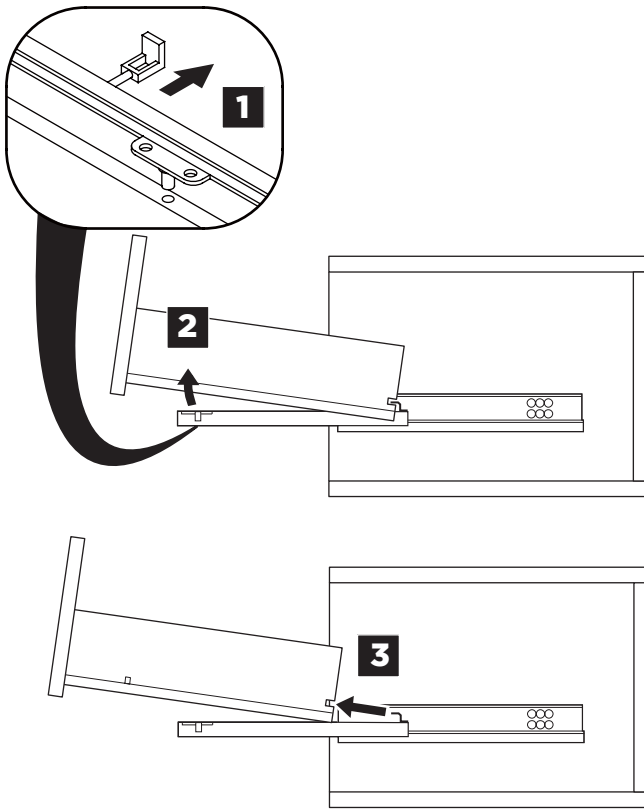


MIRROR INSTALLATION

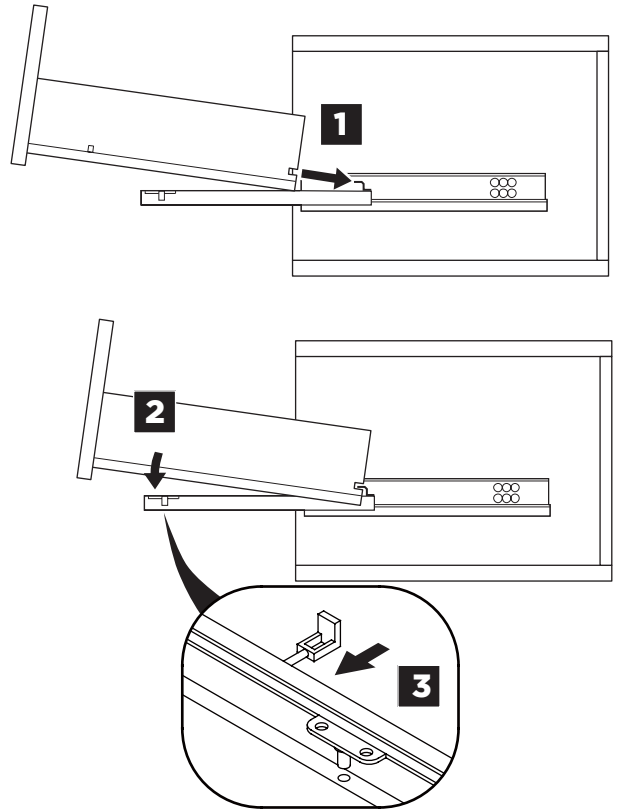


DRAWER REMOVAL & INSTALLATION

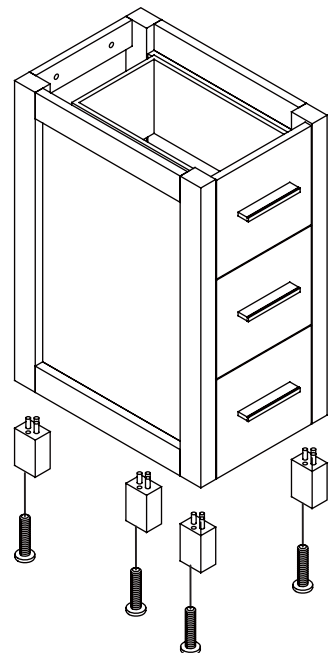
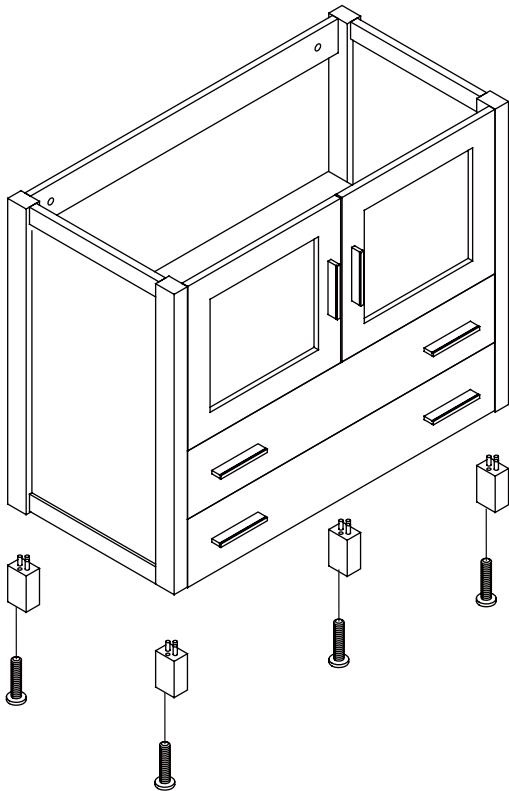
REMOVAL



INSTALLATION



1 Install leg



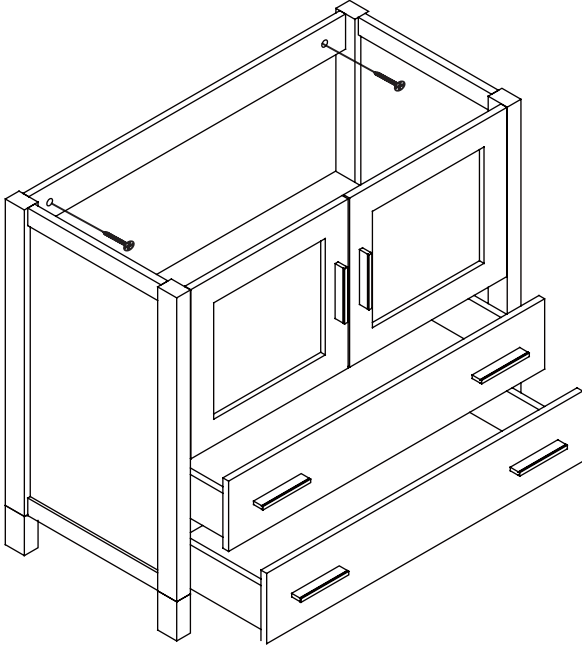
2

Remove side cabinet drawer

3

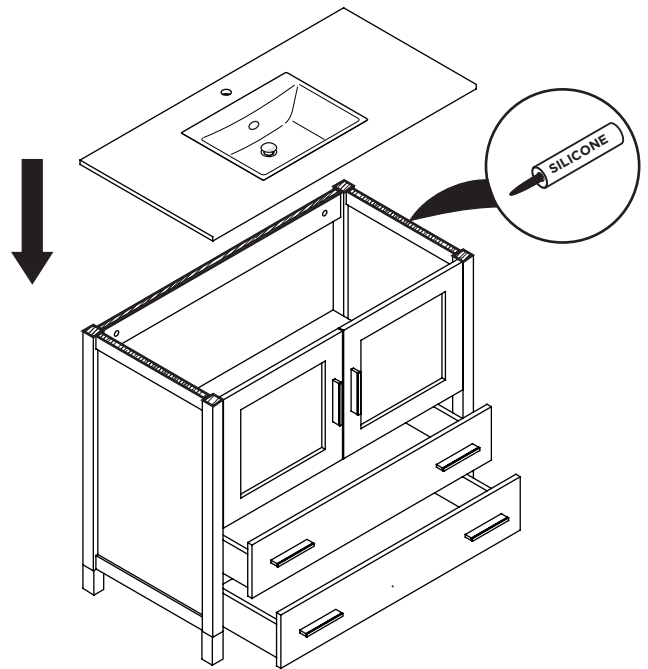
Install side cabinet

IMPORTANT: Consult an expert for the proper screws/bolts to use when attaching to various wall constructions. Screws provided do not attach to all wall construction types.



4

Install top panel

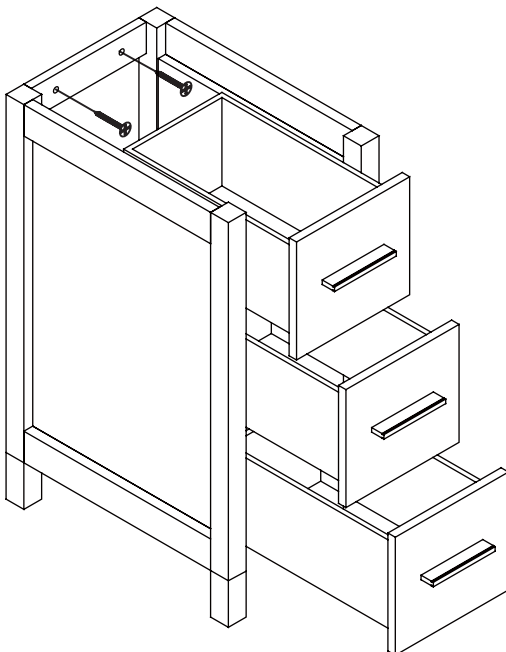


5

Remove side cabinet drawer

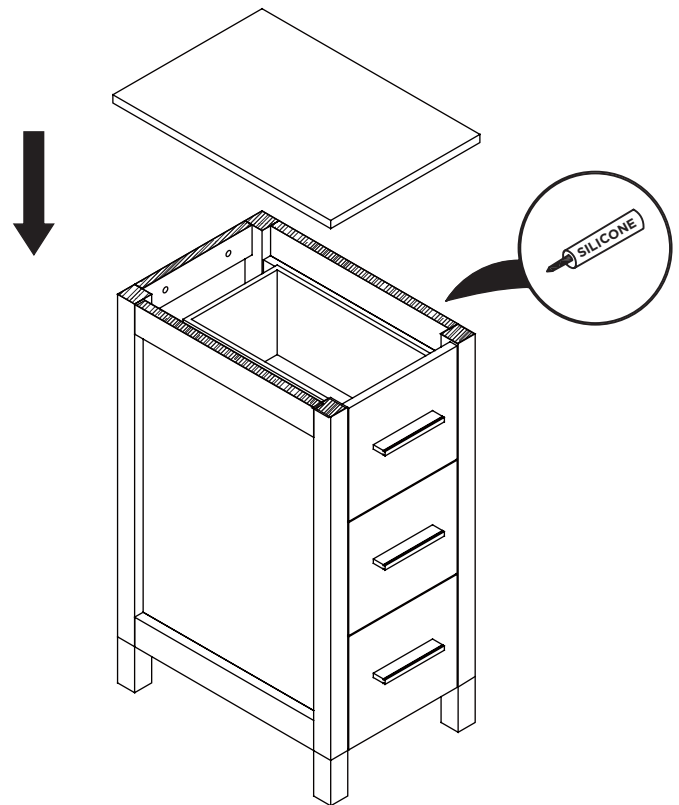
6

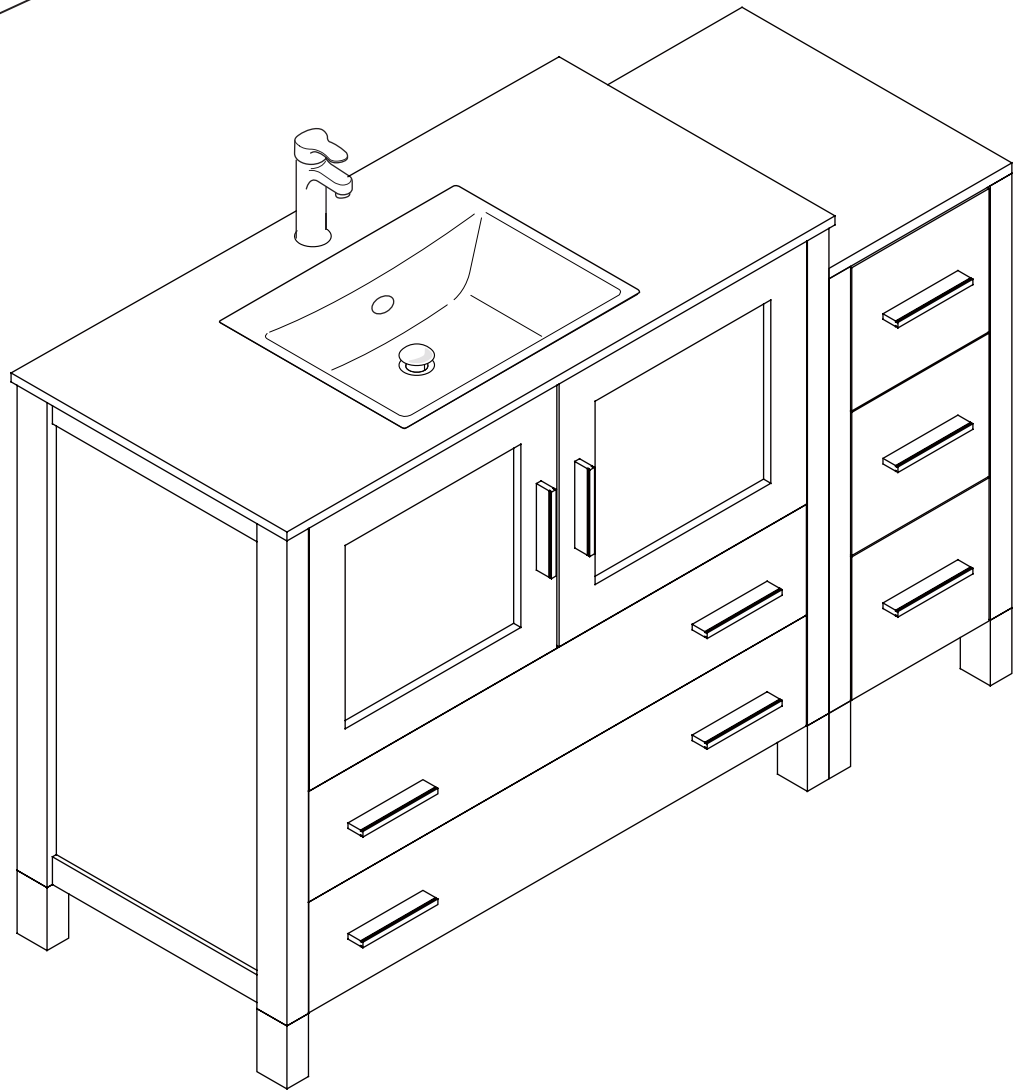
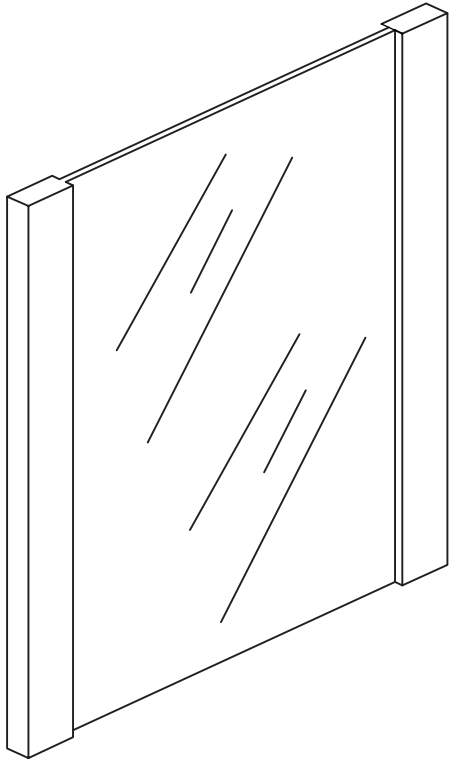
Install side cabinet



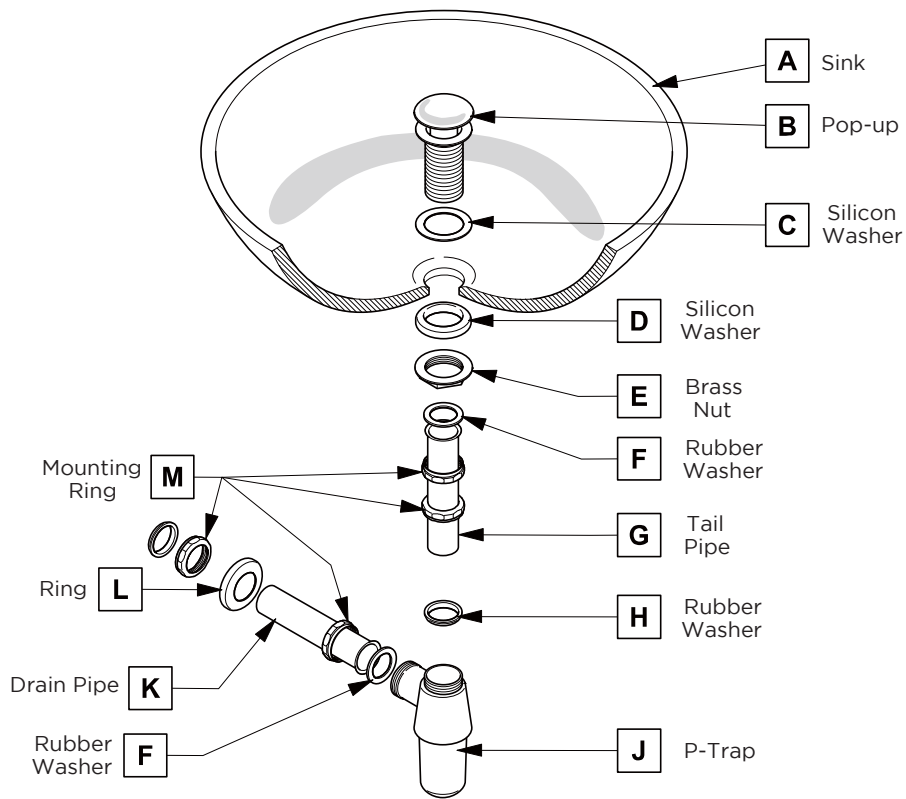
7

Install side cabinet top panel



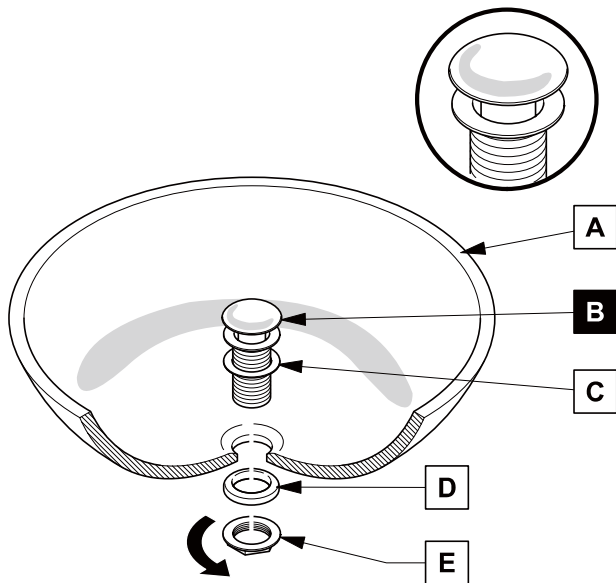


P-TRAP AND POP-UP INSTALLATION INSTRUCTIONS



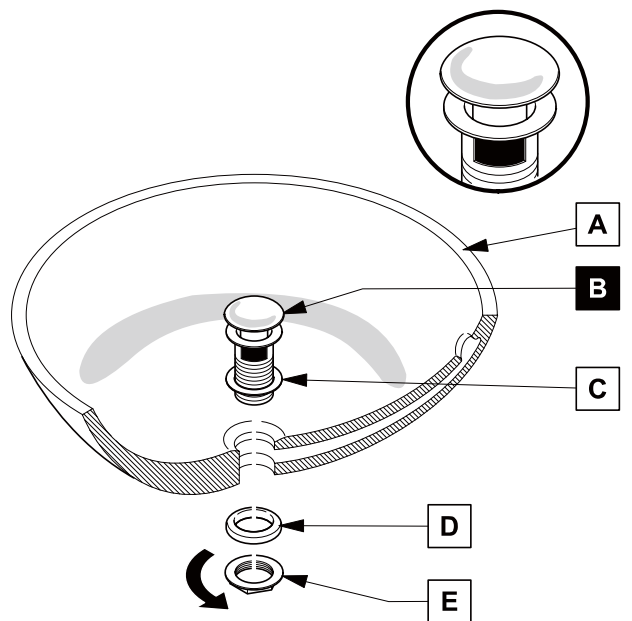
POP-UP INSTALLATION

FOR SINKS WITHOUT OVERFLOW



OR

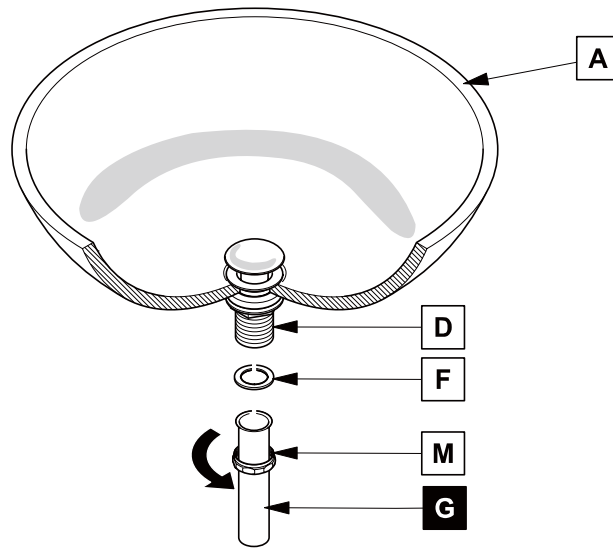
FOR SINKS WITH OVERFLOW



P-TRAP INSTALLATION

1

Install tail pipe (G)



2

Install p-trap (J)

