



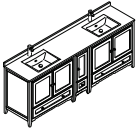
FVN20-361236

OXFORD

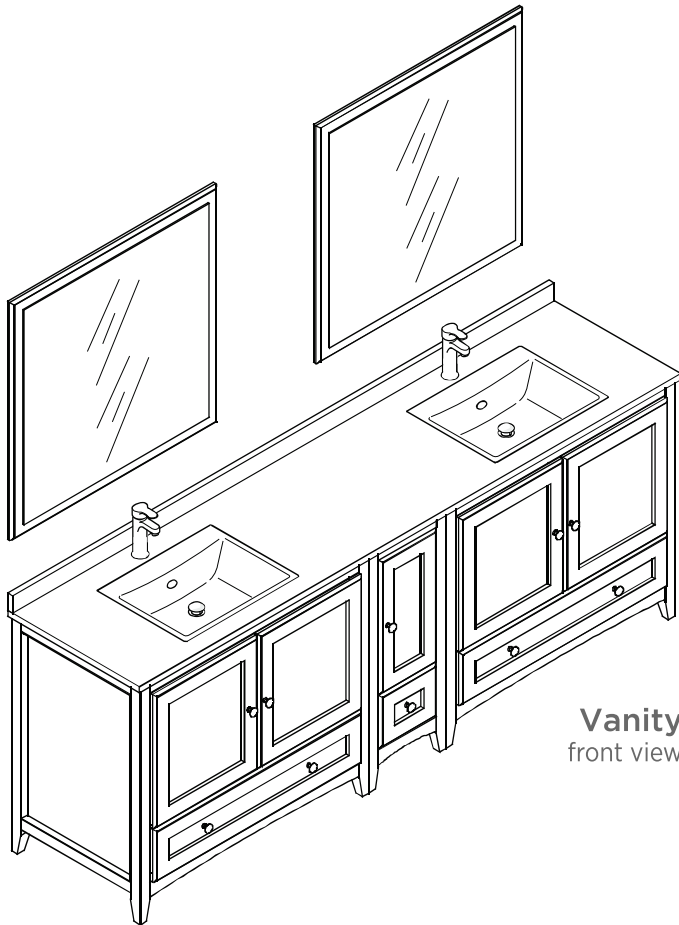
INSTALLATION GUIDE

CONTENTS:

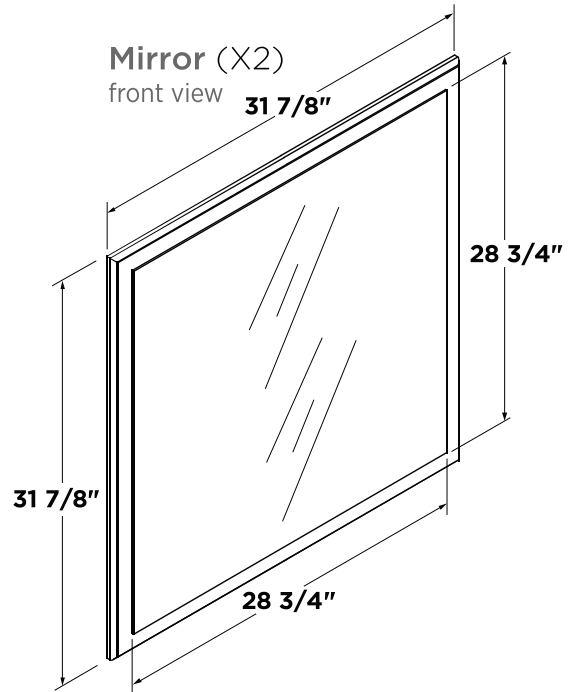
Cabinet.....	(FCB20-361236).....	PAGE 4
Sink.....	(FVS2017).....	PAGE 6
Mirror.....	(FMR2036).....	PAGE 3
Countertop.....	(FCT2084).....	PAGE 6



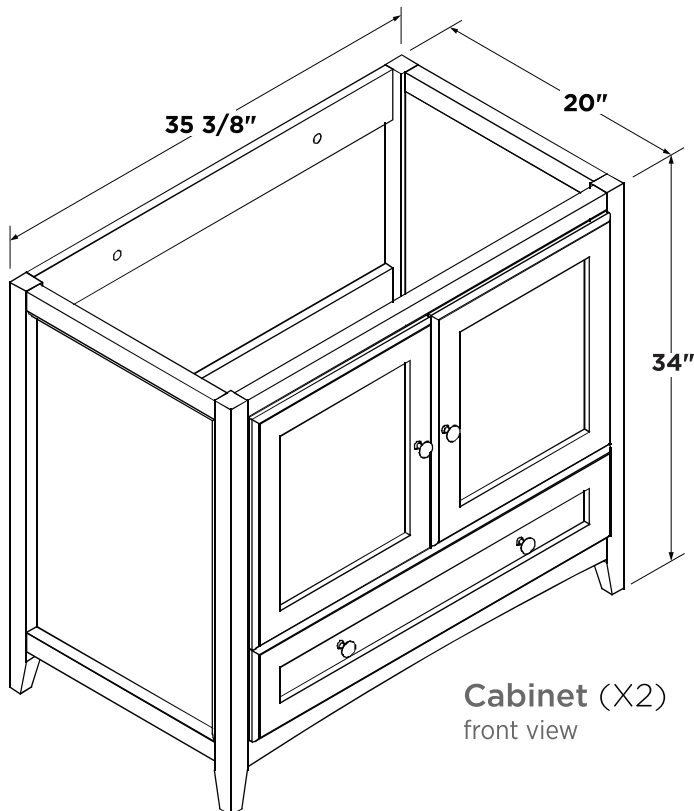
FVN20-361236
OXFORD
INSTALLATION GUIDE



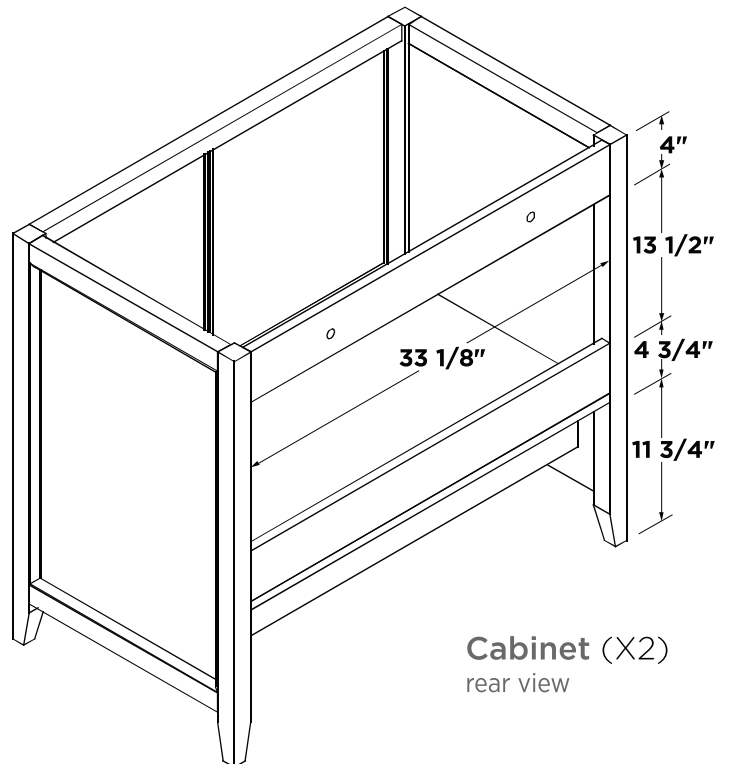
Vanity
front view



Mirror (X2)
front view **31 7/8"**



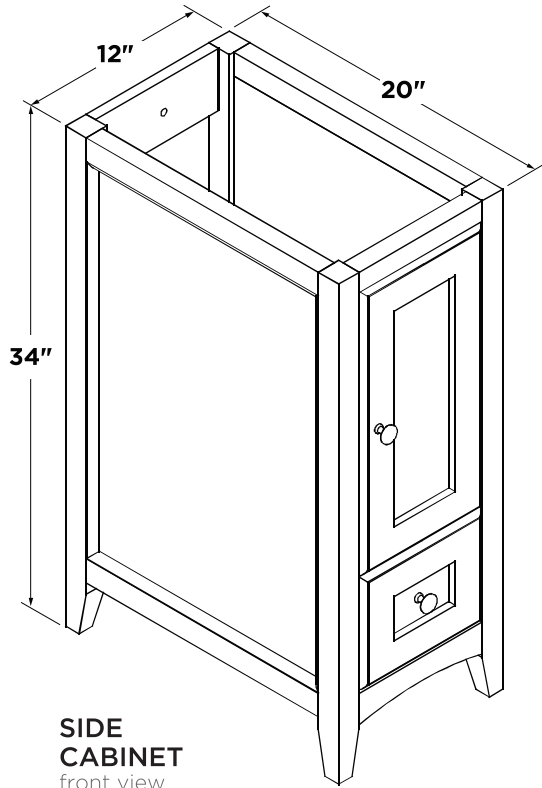
Cabinet (X2)
front view



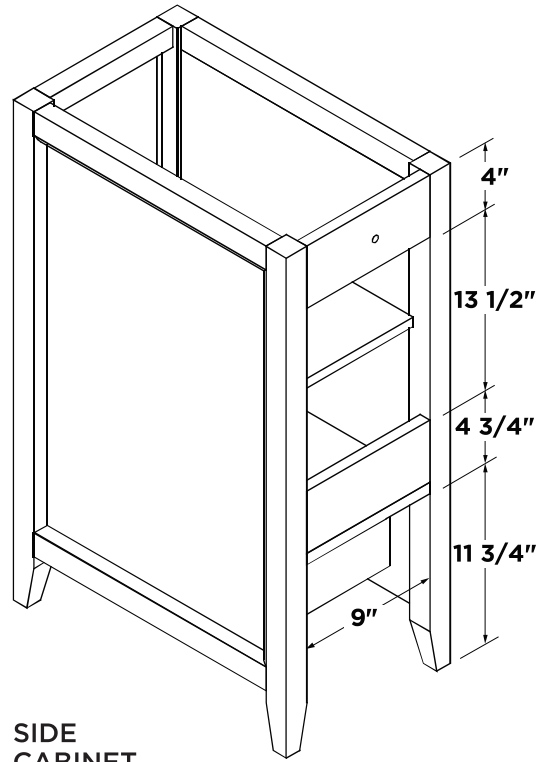
Cabinet (X2)
rear view

NOTE: ALL DIMENSIONS & SPECIFICATIONS ARE APPROXIMATE AND SUBJECT TO CHANGE WITHOUT NOTICE.

SIDE CABINET DIMENSIONS

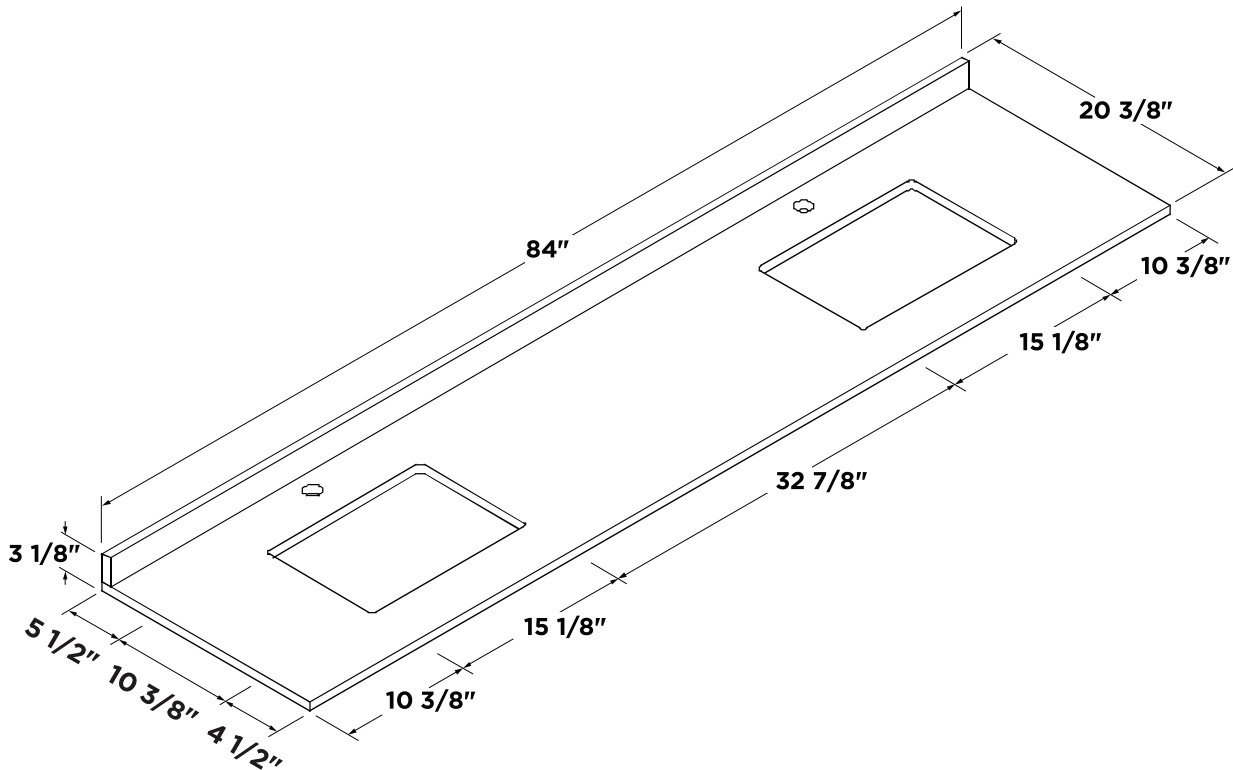


SIDE CABINET
front view



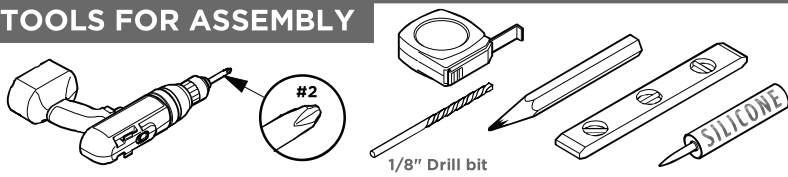
SIDE CABINET
back view

COUNTERTOP DIMENSIONS



NOTE: ALL DIMENSIONS & SPECIFICATIONS ARE APPROXIMATE AND SUBJECT TO CHANGE WITHOUT NOTICE.

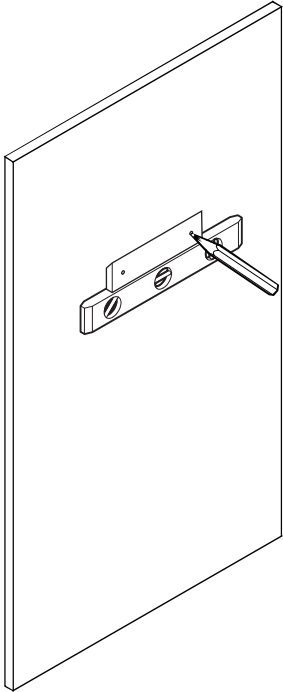
TOOLS FOR ASSEMBLY



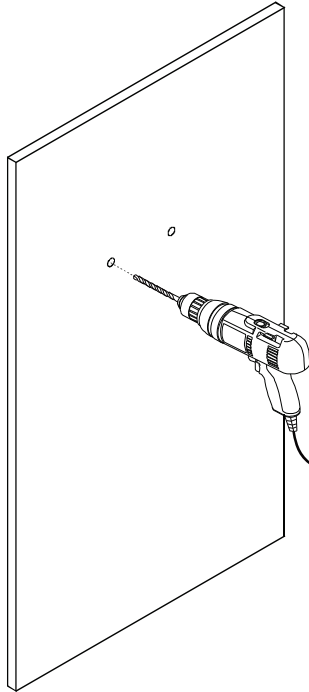
MIRROR INSTALLATION

***NOTE:**
Only use anchors
if stud is not available.

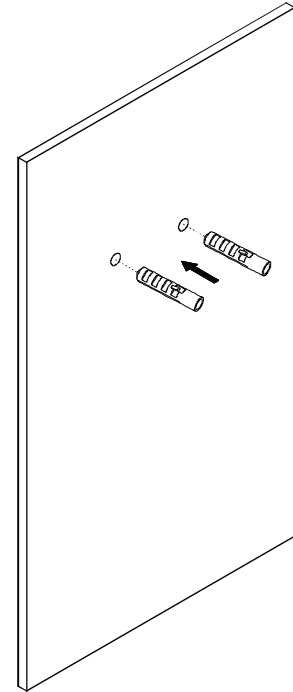
1 Level the mirror bracket and then mark the installation position



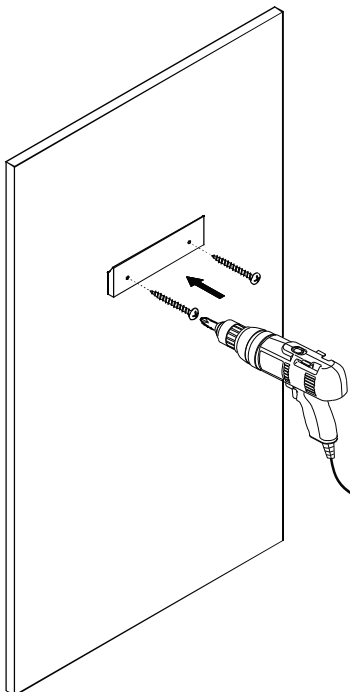
2 Drill the holes



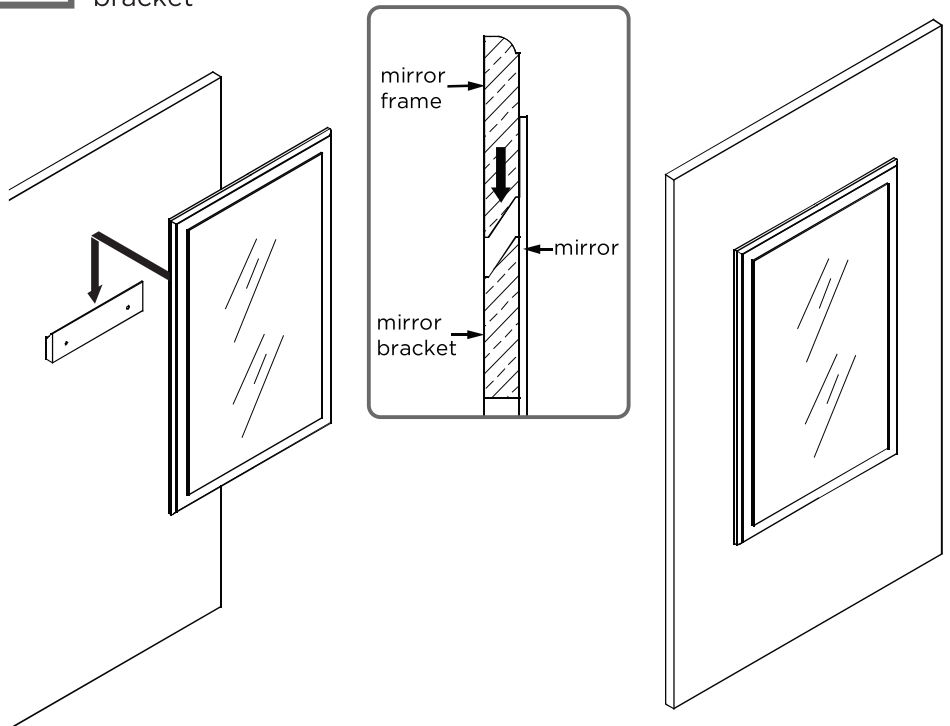
3 Insert the anchors inside the holes



4 Attach the bracket to the wall with the screws



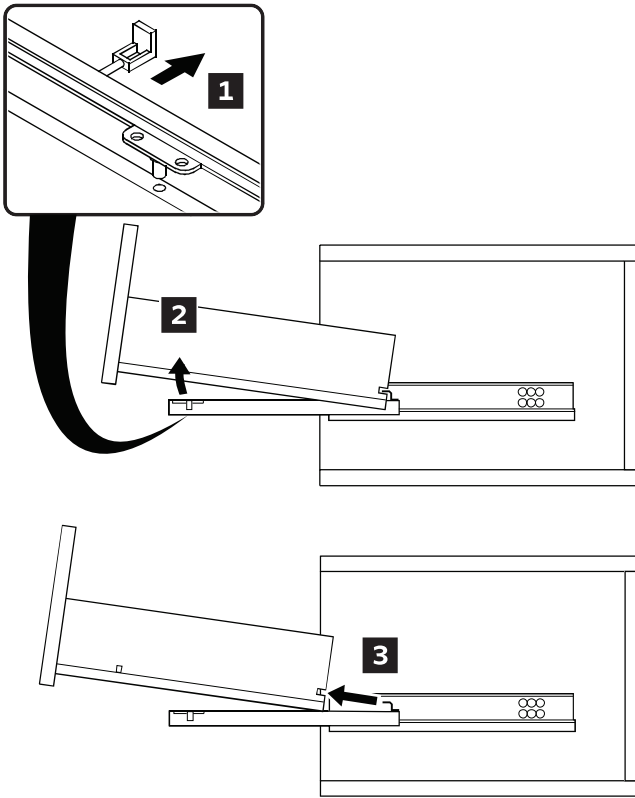
5 Hang the mirror on the bracket



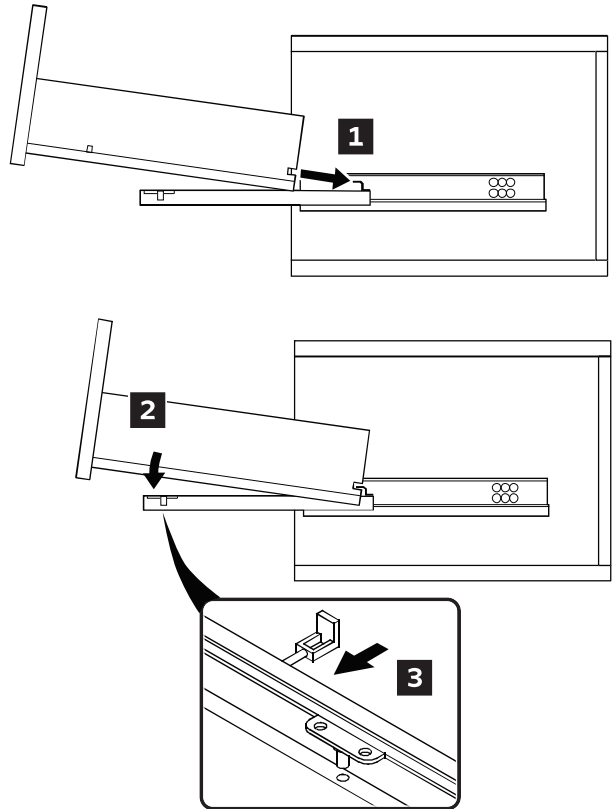
NOTE: Consult an expert for the proper screws/bolts to use when attaching to various constructions. Screws provided do not attach to all wall construction types.

DRAWER REMOVAL & INSTALLATION

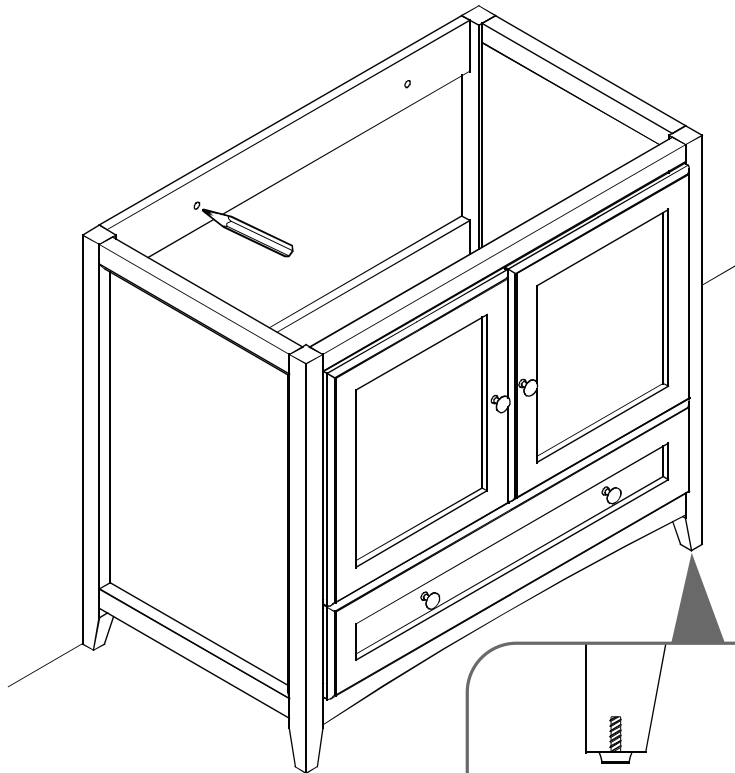
REMOVAL



INSTALLATION

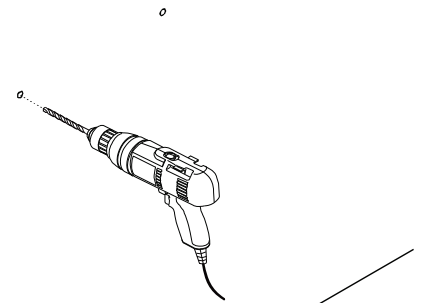


1 Level the cabinet and mark position for the installation.



To ensure stability, cabinet's height can be regulated by turning the glide clockwise or counterclockwise.
(Optional Step)

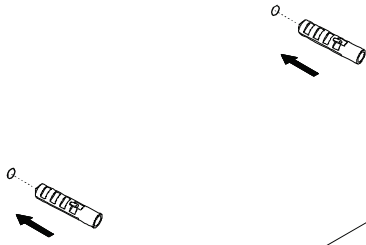
2 Drill the holes previously marked.



☞ Consult an expert for the proper screws/bolts to use when attaching to various wall constructions. Screws provided **do not attach** to all wall construction types.

3

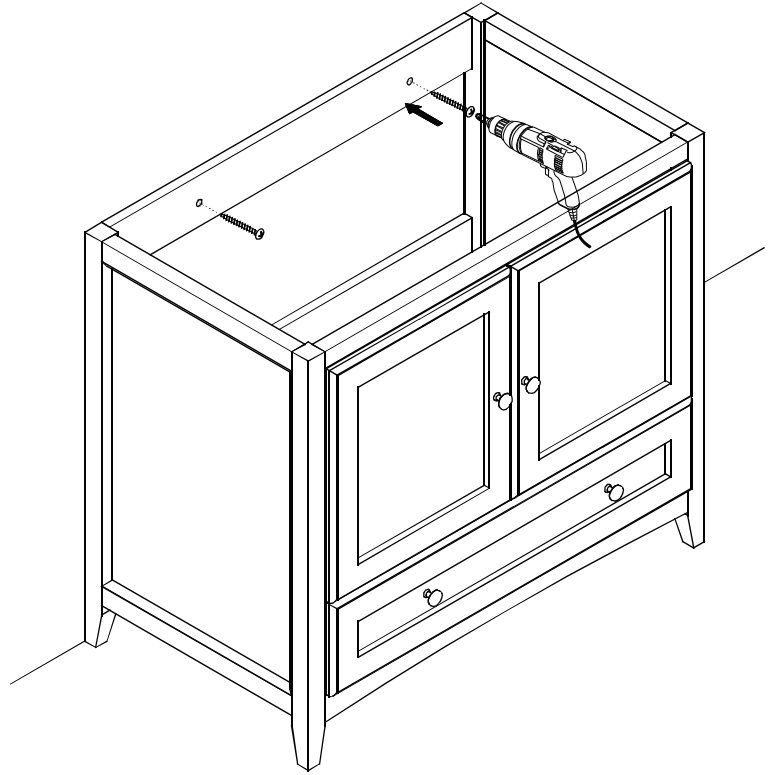
*Insert the anchors into the holes



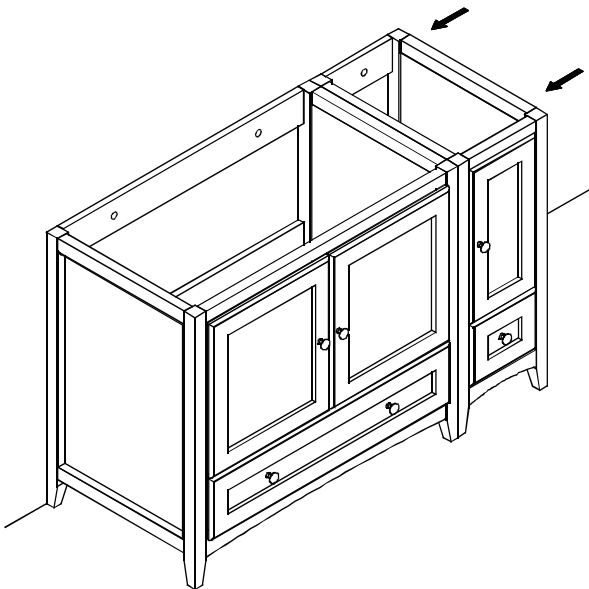
☞ Consult an expert for the proper screws/bolts to use when attaching to various wall constructions. Screws provided **do not attach** to all wall construction types.

4

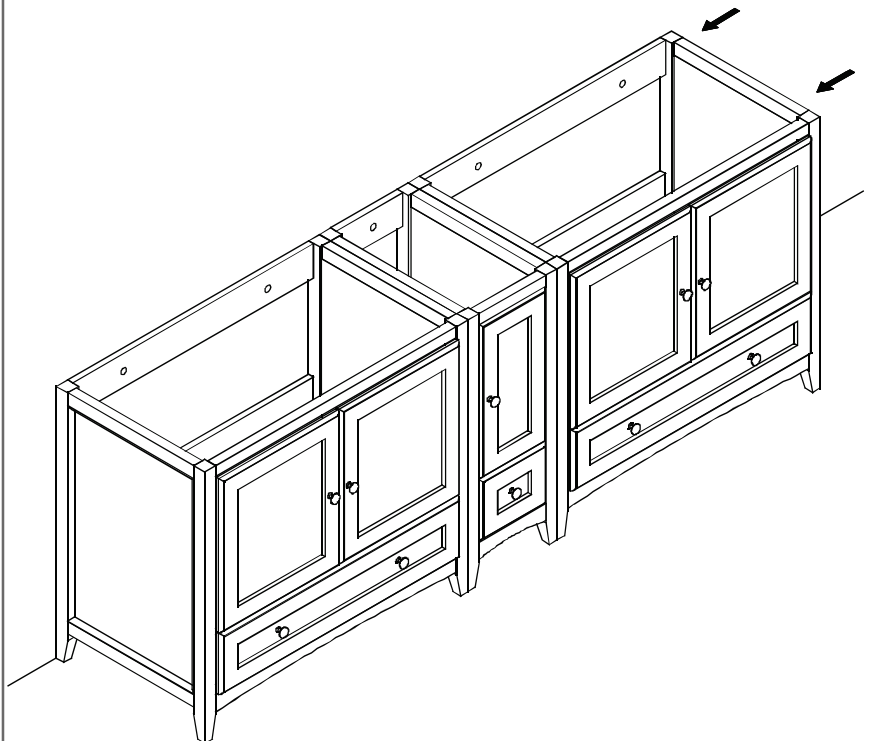
Connect the cabinet to the wall using screws

**5**

Make sure that both cabinets are aligned and securely installed.

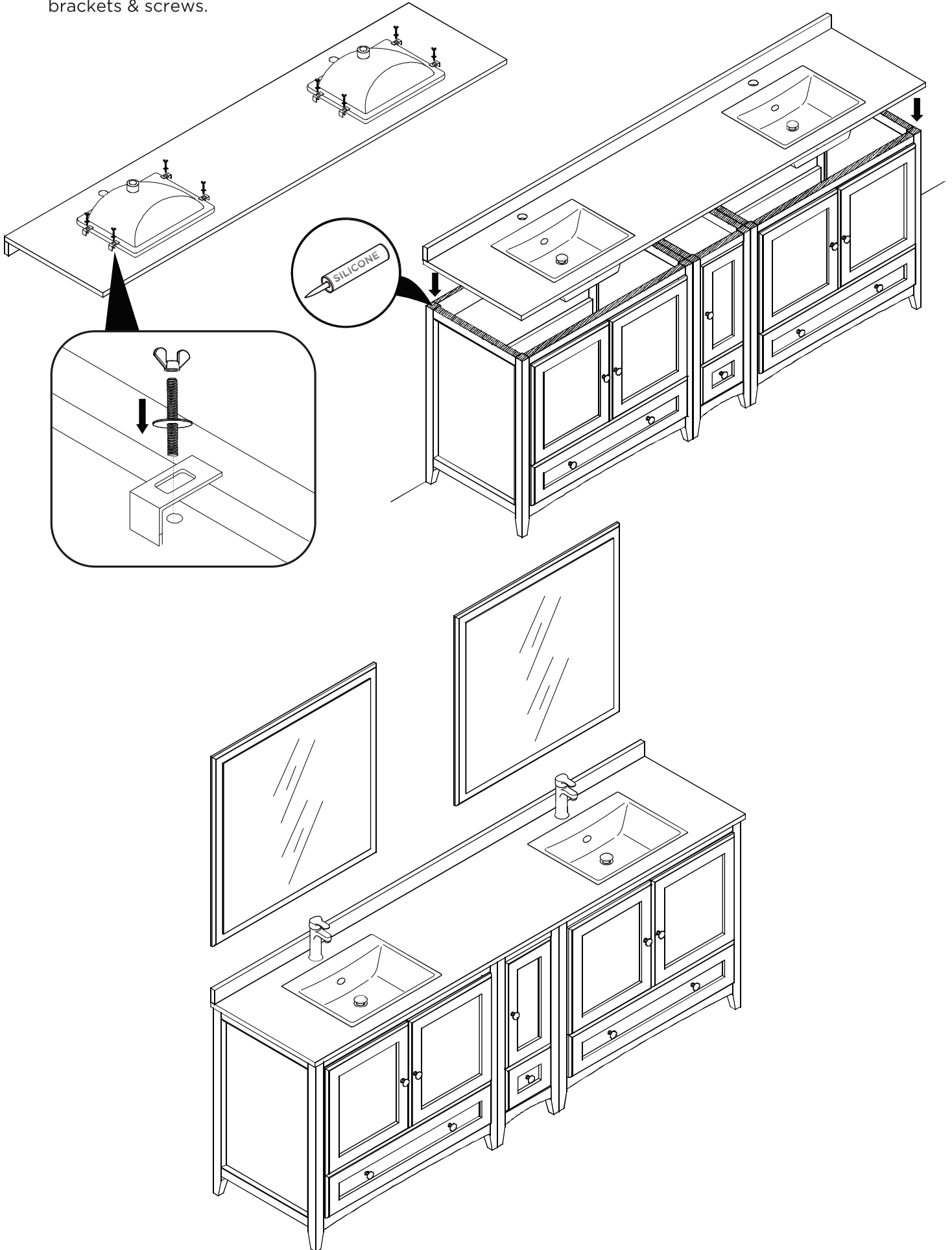
**6**

Repeat the master cabinet installation procedure.



7 Flip the countertop upside down and attach the sink to it using a provided brackets & screws.

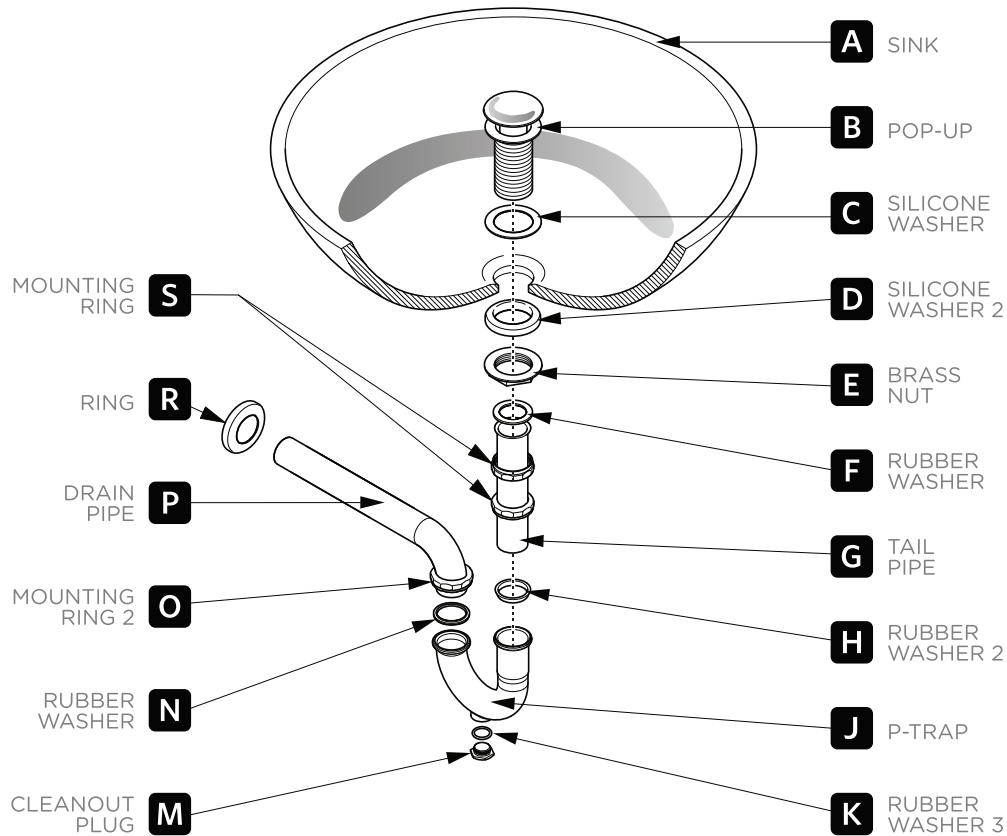
8 Apply silicone to the top of the cabinet and place the countertop with sink attached on it.



P-TRAP & POP-UP

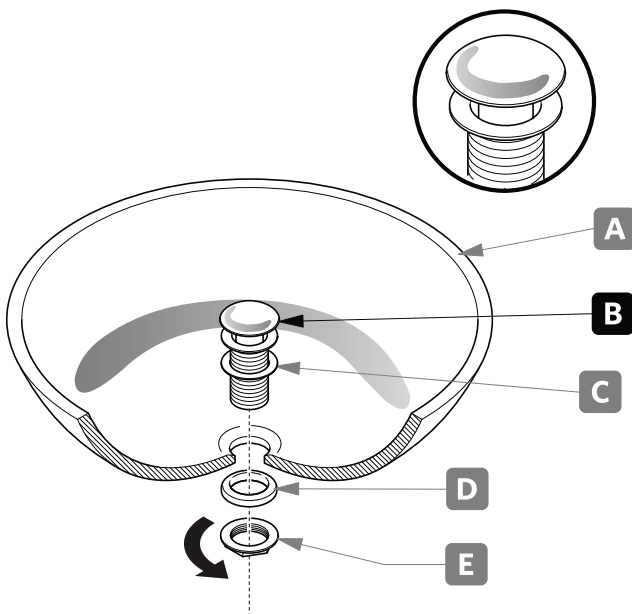
INSTALLATION INSTRUCTIONS

Your item may appear slightly different from the illustration.



POP-UP INSTALLATION

FOR SINKS WITHOUT OVERFLOW



OR

FOR SINKS WITH OVERFLOW

